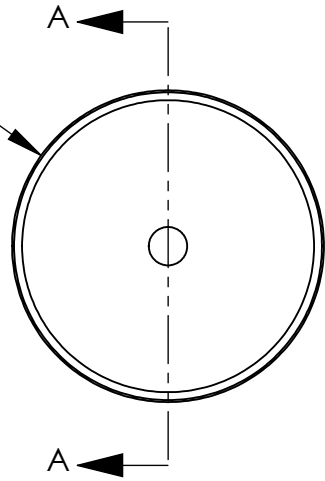


UNCONTROLLED DOCUMENT

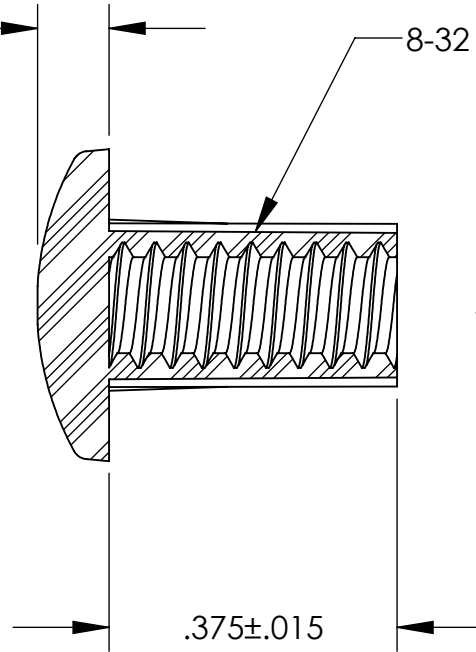
NOTE:
OUTSIDE POST $\phi .218 \pm .015$

$\phi .406 \pm .020$



$.093 \pm .015$

8-32 THREAD



SECTION A-A

$.375 \pm .015$

TOLERANCES UNLESS NOTED

- $\pm .005$ ON DIMENSIONS THRU $.625$
- $\pm .008$ ON DIMENSIONS $.626$ THRU 1.000
- $\pm .010$ ON DIMENSIONS 1.001 THRU 1.500
- $\pm .015$ ON DIMENSIONS LARGER THAN 1.500
- $\pm .015$ ON FRACTIONAL DIMENSIONS

WE RESERVE THE RIGHT
TO DISCONTINUE ITEMS,
CHANGE SPECIFICATIONS
OR DESIGN AT ANY TIME
WITHOUT NOTICE AND
WITHOUT INCURRING
ANY OBLIGATIONS

PROPERTY OF
MICRO PLASTICS INC.

CATALOG DRAWING
POST AND SCREW
MICRO P/N 27POST8320375
DWG. # 27POST8320375
FILE SERVER\ENG\WEB

MATERIAL: POLYCARBONATE

DATE

SCALE
4:1

DB