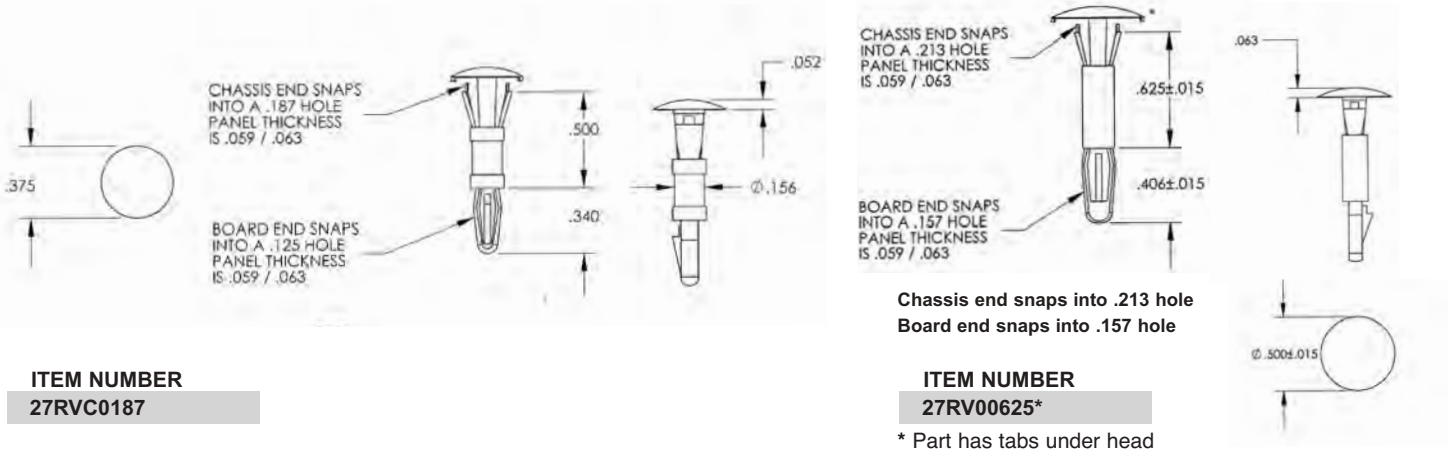


CIRCUIT BOARD HARDWARE

SECTION VIII

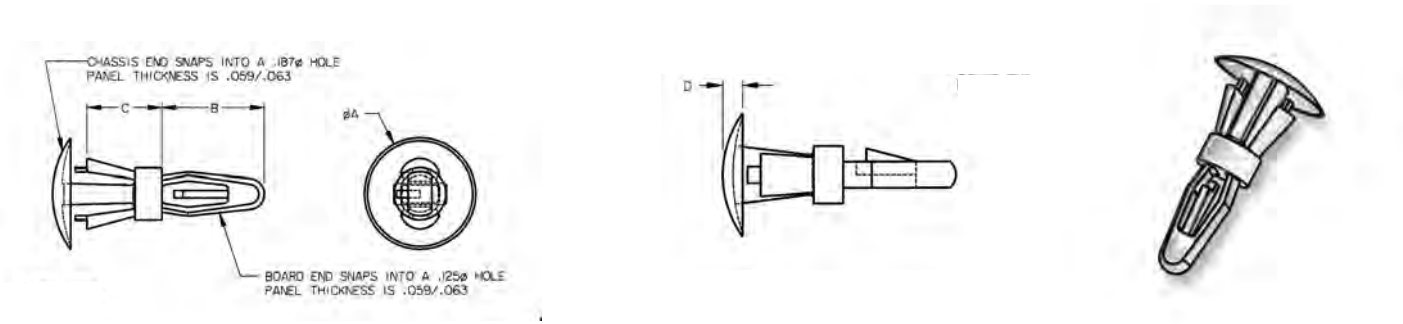
REVERSE LOCKING CIRCUIT BOARD SUPPORTS

Molded in **Natural Nylon 6/6**

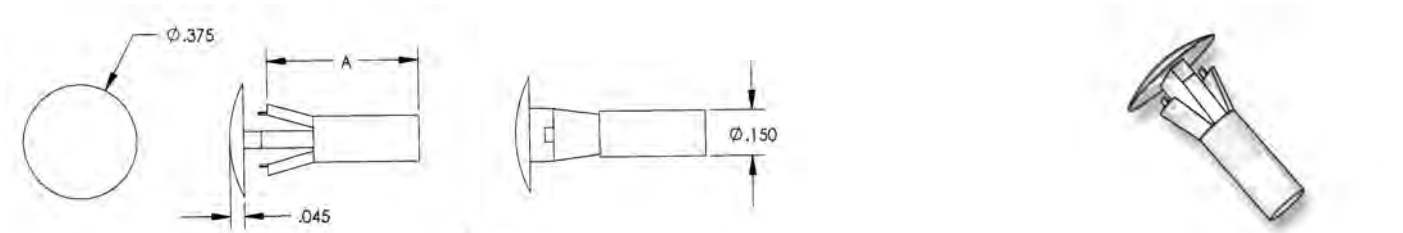


REVERSE LOCKING CIRCUIT BOARD SUPPORTS

Molded in **Natural Nylon 6/6**



ITEM NUMBER	DESCRIPTION	A	B	C	D
27RV00250	RV 250	.375 (9,53)	11/32" (8,71)	.255 (6,48)	.060 (1,52)
27RV00375	RV 375	.375 (9,53)	11/32" (8,71)	.375 (9,53)	.060 (1,52)
27RV00500A	RV 500A	3/8" (9,53)	.340 (8,63)	.500 (12,70)	.052 (1,32)



REVERSE LOCKING CIRCUIT BOARD SUPPORT STANDOFF

Molded in **Natural Nylon 6/6**

ITEM NUMBER	DESCRIPTION	HEAD DIA.	BODY DIA.	HEAD HEIGHT	HOLE SIZE	A
27RVS00250	RVS 250	.375 (9,53)	.150 (3,81)	.045 (1,14)	.187 (4,75)	.250 (6,35)
27RVS00375	RVS 375	.375 (9,53)	.150 (3,81)	.045 (1,14)	.187 (4,75)	.375 (9,53)
27RVS00500*	RVS 500	.375 (9,53)	.150 (3,81)	.045 (1,14)	.187 (4,75)	.500 (12,70)
27RVS00625*	RVS 625	.375 (9,53)	.150 (3,81)	.045 (1,14)	.187 (4,75)	.625 (15,88)

*Chassis end snaps into .187 hole • Panel thickness .059/.063