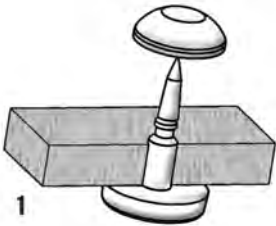


PANEL FASTENERS AND HOLE PLUGS

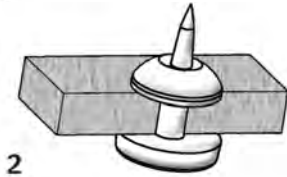
SECTION VI

SNAP TACKS

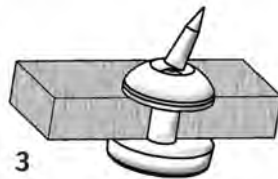


Micro Plastics' 2 piece snap tack consists of a male acetal tack and a female nylon button retainer. The tack has a sharp point for piercing soft materials that will not require a pre-punched hole.

Easily assembled by pushing the tack through the front of the soft material and pushing the retainer to the **second** detent - no tools required.



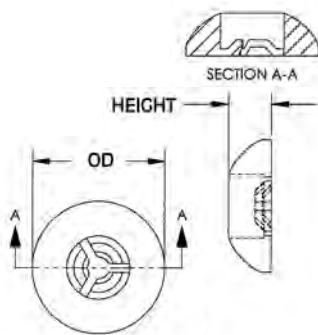
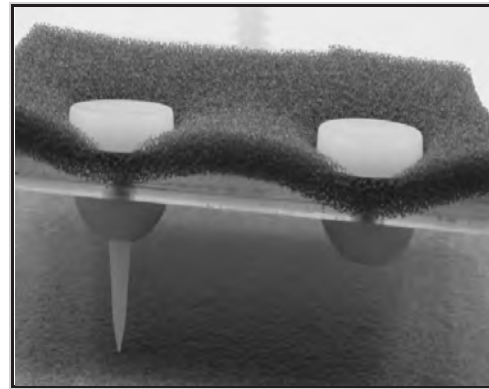
After assembly simply break off the pointed end and the remaining end is shielded by the retainer.



CAUTION the point is very sharp and can pierce your skin.

Watch Instructional Video

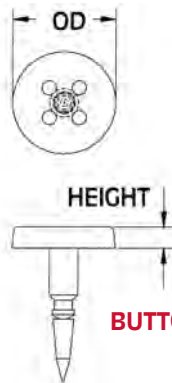
[mms://www.microplastics.com/productvideos/SnapTacks.asf](https://www.microplastics.com/productvideos/SnapTacks.asf)



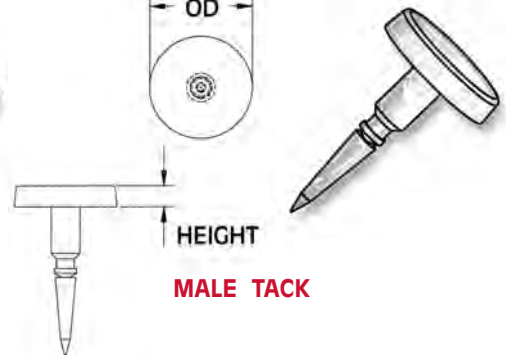
FEMALE BUTTON



BUTTON MALE TACK



MALE TACK



ITEM NUMBER	DESCRIPTION	ITEM NUMBER	DESCRIPTION	OD	HEIGHT
27STF375	3/8" Female Button	27STMB430188	3/16" Button Male Tack	7/16"	3/32"
OD	3/8"	27STM430062	1/16" Male Tack	7/16"	3/32"
HEIGHT	1/8"	27STM430125	1/8" Male Tack	7/16"	3/32"
		27STM430188	3/16" Male Tack	7/16"	3/32"