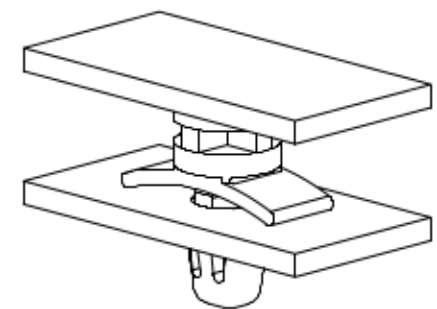
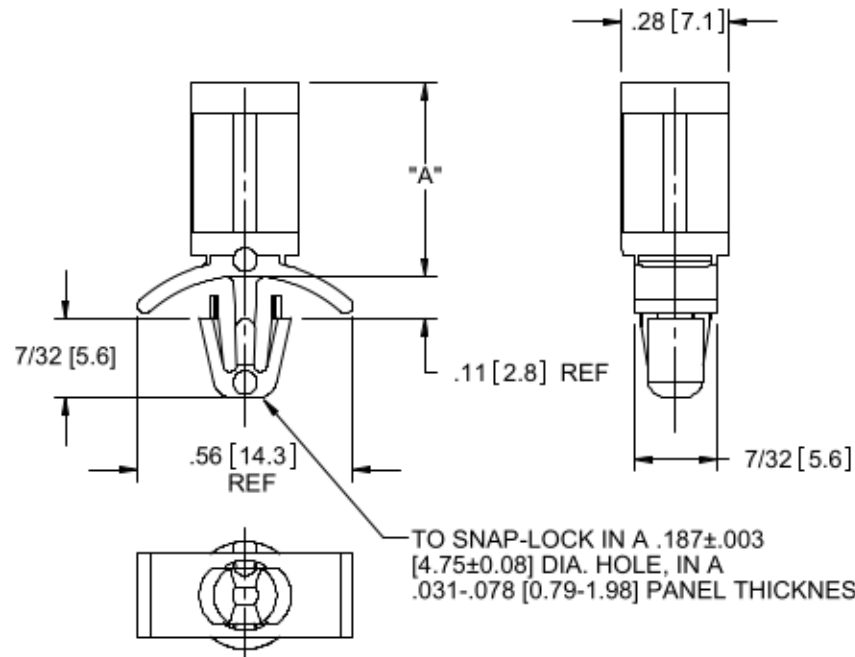
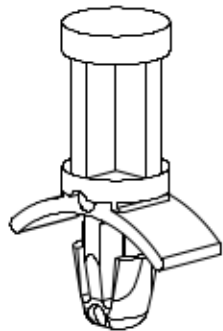


MATERIAL: NYLON 6/6
 UL 94 V-2 (RMS-01)
 COLOR: NATURAL
 PART NO.

DIM. "A"
 $\pm .015$ [0.4]

10141

1/2 [12.7]



TYPICAL APPLICATION

| | | | | | | | |
|--|---------------|---------------|--------------|----------------|-----------|------------|----|
| TITLE: PUSH SPACER | | | | UNITS: IN [mm] | | FINAL | |
| CREATED USING SOLIDWORKS | FILE #: PS | DWN: SK | APP: SK | PART # | | PRINT TYPE | |
| TOLERANCES UNLESS NOTED XX=±.010 .XXX=±.005 FRAC.=±1/64 ANG.=±1° | SHEET: 1 OF 1 | SHEET SIZE: A | DT: 02/24/05 | CHKD: DZ | SEE TABLE | | CA |
| REV. | DESCRIPTION | ENGR. | DATE | | | | |

| | | | |
|---|-----------------------------------|----|------------|
| I | ADDED PS-9, ECN # 1368 | DZ | 07/03/2012 |
| H | SEE ECN #1208 FOR CHANGES | SK | 11/29/2006 |
| G | SEE ECN #1196 FOR CHANGES | SK | 07/17/2006 |
| F | COMPLETELY REDRAWN. SEE ECN #949 | SK | 02/24/2005 |
| - | SEE ENGINEERING FOR REVISIONS A-E | - | - |