

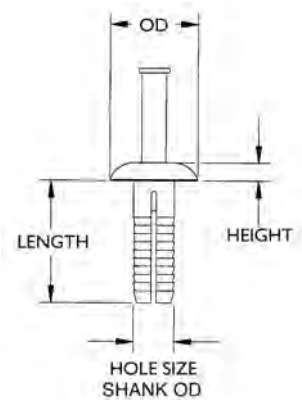
PANEL FASTENERS AND HOLE PLUGS

SECTION
VI

TWO PIECE ANCHOR RIVETS WITH PLASTIC & STEEL DRIVE PINS

Molded in: **BODY - White Impact Modified Nylon, PLASTIC PIN - White Acetal**

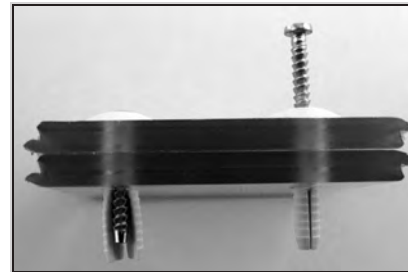
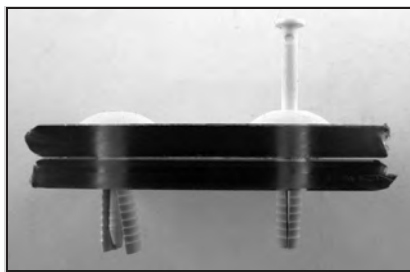
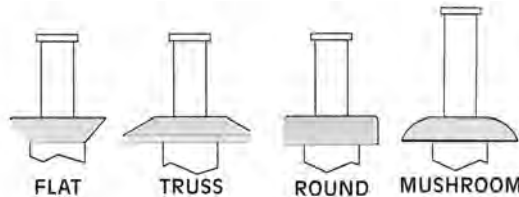
Micro Plastics' two piece Anchor Rivets provide versatile, inexpensive, vibration-resistant blind fasteners for solid or hollow materials including wood, concrete, plaster, metal, plastic, tile block or mortar. Installation is fast, rivet is inserted in predrilled hole and tapped with a hammer. The drive pin expands and seats the rivet securely in place. The Hi-Impact nylon anchor body provides high thermal, electrical, corrosion and vibration resistance. Typical uses for anchor rivets are; semi-trailer construction, liner panels, rails, scuff boards, floor plates, electrical fixtures, signs, plumbing fixtures, piping and conduit strap hangers, window and drapery hardware, railings, storage shelves and other assemblies requiring a positive, durable fastener.



NOTE: ANCHOR RIVETS ARE PACKAGED 1,000 PER BAG UNLESS OTHERWISE NOTED

- HIGH STRENGTH.
- ZINC PLATED.
- DEVELOPS HIGH PULL-OUT FORCE.
- THERMAL AND ELECTRICAL INSULATING.
- CORROSION AND VIBRATION RESISTANT.

New SIZES



PLASTIC DRIVE PIN

STEEL DRIVE PIN

PART NUMBER	SHANK OD	HOLE SIZE	LENGTH	HEADSTYLE
61APM18075	3/16 (4,76)	X	3/4 (19,05)	Mushroom, Plastic
61APM25075	1/4 (6,35)	X	3/4 (19,05)	Mushroom, Plastic
61APM25100	1/4 (6,35)	X	1 (25,40)	Mushroom, Plastic
61APM25150	1/4 (6,35)	X	1-1/2 (38,10)	Mushroom, Plastic
61APR18075	3/16 (4,76)	X	3/4 (19,05)	Round, Plastic
61APR25075	1/4 (6,35)	X	3/4 (19,05)	Round, Plastic
61APR25100	1/4 (6,35)	X	1 (25,40)	Round, Plastic
61APR25150	1/4 (6,35)	X	1-1/2 (38,10)	Round, Plastic
61APT18075	3/16 (4,76)	X	3/4 (19,05)	Truss, Plastic
61APT25075	1/4 (6,35)	X	3/4 (19,05)	Truss, Plastic
61APT25100	1/4 (6,35)	X	1 (25,40)	Truss, Plastic
61APT25125	1/4 (6,35)	X	1-1/4 (31,75)	Truss, Plastic
61APT25150	1/4 (6,35)	X	1-1/2 (38,10)	Truss, Plastic
61APT25200	1/4 (6,35)	X	2 (50,80)	Truss, Plastic
61APT25300*	1/4 (6,35)	X	3 (76,20)	Truss, Plastic
61APT25400*	1/4 (6,35)	X	4 (101,6)	Truss, Plastic
61APT25500**	1/4 (6,35)	X	5 (127,0)	Truss, Plastic
61APT25600**	1/4 (6,35)	X	6 (152,4)	Truss, Plastic
* PACKAGED 500 PCS PER BAG ** PACKAGED 250 PCS PER BAG				
61APF25056	1/4 (6,35)	X	9/16 (14,29)	Flat, Plastic
61APF25075	1/4 (6,35)	X	3/4 (19,05)	Flat, Plastic

PART NUMBER	SHANK OD	HOLE SIZE	LENGTH	HEADSTYLE
61ASM18075	3/16 (4,76)	X	3/4 (19,05)	Mushroom, Steel
61ASM18100	3/16 (4,76)	X	1 (25,40)	Mushroom, Steel
61ASM25075	1/4 (6,35)	X	3/4 (19,05)	Mushroom, Steel
61ASM25100	1/4 (6,35)	X	1 (25,40)	Mushroom, Steel
61ASM25150	1/4 (6,35)	X	1-1/2 (38,10)	Mushroom, Steel
61ASR18075	3/16 (4,76)	X	3/4 (19,05)	Round, Steel
61ASR18100	3/16 (4,76)	X	1 (25,40)	Round, Steel
61ASR25075	1/4 (6,35)	X	3/4 (19,05)	Round, Steel
61ASR25100	1/4 (6,35)	X	1 (25,40)	Round, Steel
61ASR25150	1/4 (6,35)	X	1-1/2 (38,10)	Round, Steel
61AST18075	3/16 (4,76)	X	3/4 (19,05)	Truss, Steel
61AST18100	3/16 (4,76)	X	1 (25,40)	Truss, Steel
61AST25075	1/4 (6,35)	X	3/4 (19,05)	Truss, Steel
61AST25100	1/4 (6,35)	X	1 (25,40)	Truss, Steel
61AST25150	1/4 (6,35)	X	1-1/2 (38,10)	Truss, Steel

Offered in Grey and Beige color also.
Add color name to the end of the part number when ordering.
EXAMPLE: 61APT25075GREY

TYPE	OD	HEIGHT
Mushroom	9/16 (14,28)	.110 (2,79)
Round	7/16 (11,11)	.125 (3,18)
Truss	5/8 (15,88)	.110 (2,79)
Flat	7/16 (11,11)	.108 (2,74)