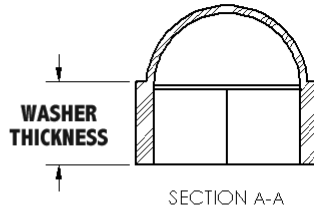
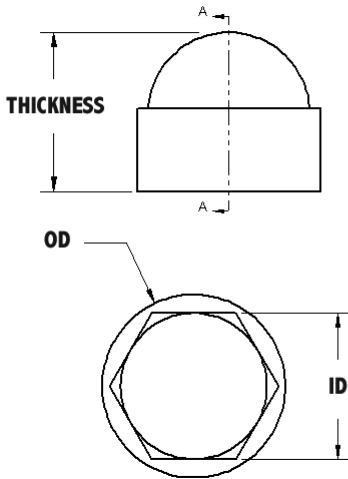


MISCELLANEOUS PRODUCTS

SECTION
X

SCREW HEAD COVERS

Molded in **Black High Density Polyethylene**

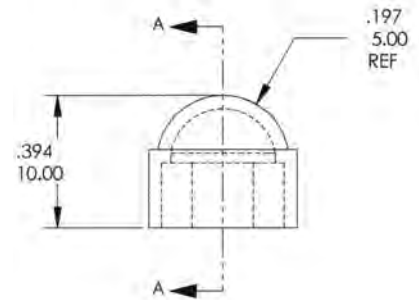
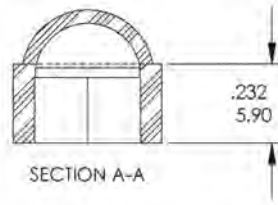
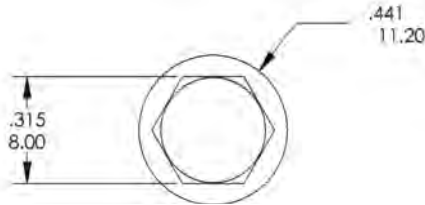


| ITEM NUMBER | OD | ID | THICKNESS | WASHER THICKNESS |
|-------------|----------|----------|-----------|------------------|
| 63SCOVERM6 | 13.41 MM | 10.01 MM | 11.23 MM | 6.50 MM |
| 63SCOVERM8 | 17.45 MM | 12.80 MM | 14.16 MM | 8.26 MM |
| 63SCOVERM10 | 21.41 MM | 17.02 MM | 17.25 MM | 9.27 MM |
| 63SCOVERM12 | 23.62 MM | 18.80 MM | 19.36 MM | 10.39 MM |
| 63SCOVERM16 | 29.72 MM | 23.80 MM | 25.83 MM | 13.41 MM |

HEX HEAD SCREW COVERS

Molded in **Black Polypropylene**

- Quick and simple to install.
- Protects and gives neat finish to exposed metal hexagon nuts and screw heads.



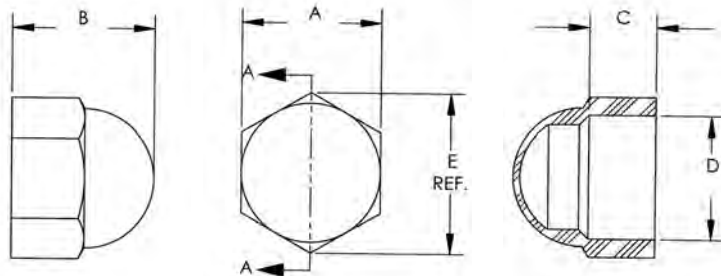
ITEM
NUMBER

FITS

63SCVR-M5 Hex ID for M5 hex nuts and screws

HEX HEAD SCREW COVERS

Molded in **Black High Density Polyethylene**



- Quick and simple to install.
- Protects and gives neat finish to exposed metal hexagon nuts and screw heads.

ITEM
NUMBER

FITS

A

E

B

C

D

| | | | | | | |
|-----------|---|----------|----------|----------|---------|----------|
| 63SCVR-M6 | Round ID for M6 pan or hex head machine screw | 12.95 MM | 14.96 MM | 13.72 MM | 6.00 MM | 10.74 MM |
| 63SCVR-M8 | Hex ID for M8 hex nuts and screws | 15.87 MM | 18.33 MM | 16.30 MM | 7.62 MM | 14.17 MM |