

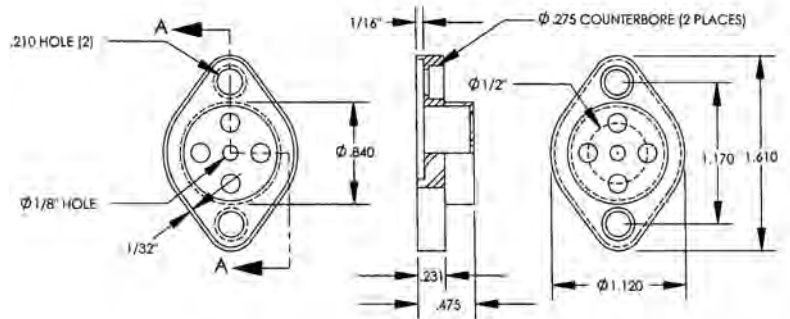
Micro Plastics' Power Transistor Covers are available in both TO-3 and TO-66 configurations. Both 1 hole, 5 hole and no hole styles are offered. Transistor covers are stocked in Nylon 6/6. Other materials are available upon request.



## POWER TRANSISTOR COVERS TO-3

Molded in **Natural Nylon 6/6**

| ITEM NUMBER | DESCRIPTION        |
|-------------|--------------------|
| 21PTC01031  | PTC 103-1N 1 HOLE  |
| 21PTC01032  | PTC103-2N 5 HOLE   |
| 21PTC01033  | PTC 103-ON NO HOLE |



## POWER TRANSISTOR COVERS TO-66

Molded in **Natural Nylon 6/6**

| ITEM NUMBER | DESCRIPTION        |
|-------------|--------------------|
| 21PTC010661 | PTC1066-1N 1 HOLE  |
| 21PTC010662 | PTC1066-2N 5 HOLE  |
| 21PTC010663 | PTC1066-ON NO HOLE |

