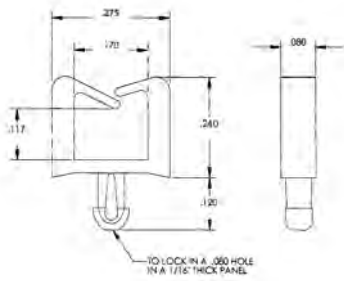


# WIRE HANDLING HARDWARE

## SECTION VII

### MICRO WIRE CLIP

Molded in **Natural Nylon 6/6**



Micro Plastics' micro wire clips are molded in Nylon 6/6 material. They can be used on densely packed PC boards or any other limited space applications. Holds up to ten 25 gauge wires (1/32 outside diameter). Wires install easily by pressing down on retaining arms which flex to accept wire then spring back into place.



**Watch Instructional Video**

[mms://www.microplastics.com/productvideos/MicroWireClip.asf](https://www.microplastics.com/productvideos/MicroWireClip.asf)

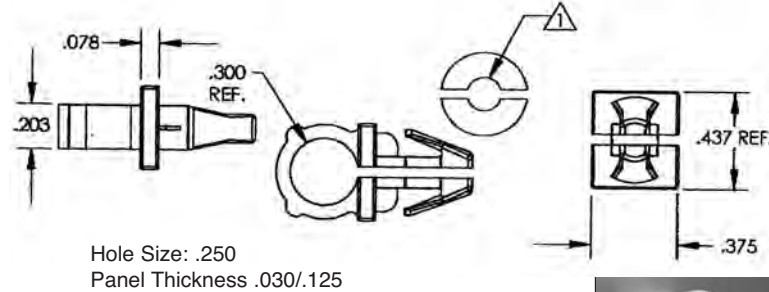
ITEM NUMBER

22MWC170120

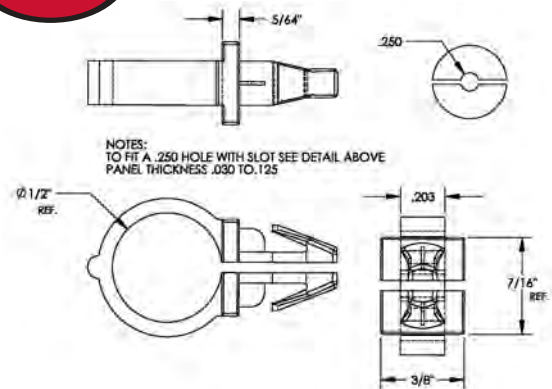
### SPLIT WIRE ROUTING CLIP

Molded in **Natural Nylon 6/6**

The split wire routing design allows loading of wires by separating the cup at the split and then inserting the prongs of the clip into a hole in the panel.



**New SIZES**



PART NUMBER

DESCRIPTION

23SWRC250250 1/4" SPLIT WIRE ROUTING CLIP

23SWRC250375 3/8" SPLIT WIRE ROUTING CLIP



PART NUMBER

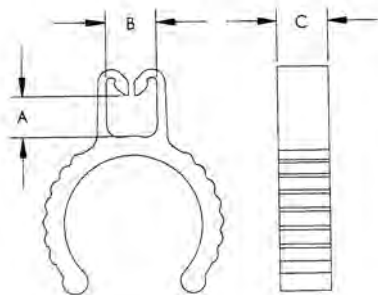
DESCRIPTION

23SWRC250500 1/2" SPLIT WIRE ROUTING CLIP

### CONDUIT CLIPS

Molded in **Natural Nylon 6/6**

Various wiring, such as telephone wire, is often routed with electrical conduit. "Conduit clips" are designed to snap onto electrical conduit. The integrated wire holder on the clip allows wiring to be secured to the conduit. Installation is faster and easier than with a wire tie, which is often used for this purpose. The clip can be easily removed if necessary. Two sizes are available for 1/2" and 3/4" ID conduit, which will accommodate various wire sizes up to 5/16" diameter. Parts are molded in light weight, chemical and corrosion resistant nylon 6/6.



**PATENTED**

ITEM NUMBER

DESCRIPTION

23CDC05025 1/2" CONDUIT CLIP

23CDC07531 3/4" CONDUIT CLIP

A

B

C

CONDUIT SIZE

.200 (5,08)

.250 (6,35)

.250 (6,35)

1/2" (12,70)

.312 (7,92)

.312 (7,92)

.250 (6,35)

3/4" (19,05)