

CIRCUIT BOARD HARDWARE

SECTION VIII

CIRCUIT BOARD POSTS

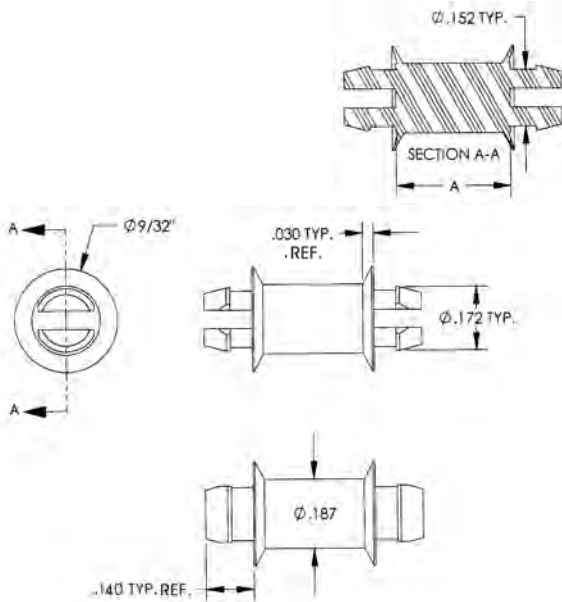
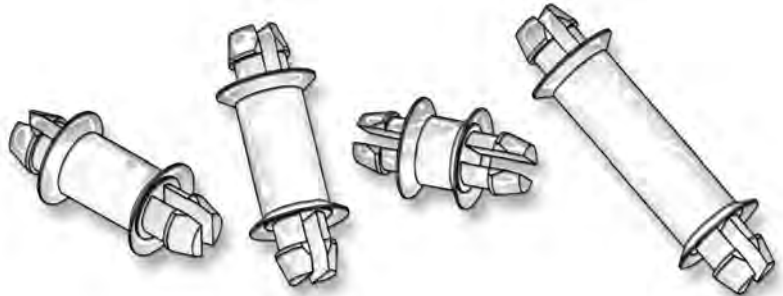
Molded in **Natural Nylon 6/6**

HOLE "DSP" SERIES - BOTH ENDS FITS A .156" HOLE
PANEL THICKNESS 1/16"

"DSP" SERIES

ITEM NUMBER	DESCRIPTION	"A"
27DSP00125	DSP 125	.125 (3,18)
27DSP00229	DSP 229	.230 (5,84)
27DSP00250	DSP 250	.250 (6,35)
27DSP00260	DSP 260	.260 (6,60)
27DSP00276	DSP 276	.276 (7,00)
27DSP00312	DSP 312	.312 (7,92)
27DSP00375	DSP 375	.375 (9,53)
27DSP00437	DSP 437	.437 (11,11)
27DSP00472	DSP 472	.472 (12,00)
27DSP00500	DSP 500	.500 (12,70)
27DSP00625	DSP 625	.625 (15,88)
27DSP00750	DSP 750	.750 (19,05)
27DSP00788	DSP 788	.788 (20,02)
27DSP00875	DSP 875	.875 (22,23)
27DSP01000*	DSP 1000	1.000 (25,40)
27DSP01250	DSP 1250	1.250 (31,75)

* Skirt thickness is .040



HOLE "DMSP" SERIES - BOTH ENDS FIT A .125" HOLE
HOLE PANEL THICKNESS 1/16"

"DMSP" SERIES

ITEM NUMBER	DESCRIPTION	"A"
27DMSP00125	DMSP 125	.125 (3,18)
27DMSP00250	DMSP 250	.250 (6,35)
27DMSP00312	DMSP 312	.312 (7,92)
27DMSP00375	DMSP 375	.375 (9,53)
27DMSP00437	DMSP 437	.437 (11,11)
27DMSP00500	DMSP 500	.500 (12,70)
27DMSP00625	DMSP 625	.625 (15,88)
27DMSP00720	DMSP 720	.720 (18,29)
27DMSP00750	DMSP 750	.750 (19,05)
27DMSP00820	DMSP 820	.820 (20,83)
27DMSP00875	DMSP 875	.875 (22,23)
27DMSP00950	DMSP 950	.950 (24,13)
27DMSP01000	DMSP 1000	1.000 (25,40)

