

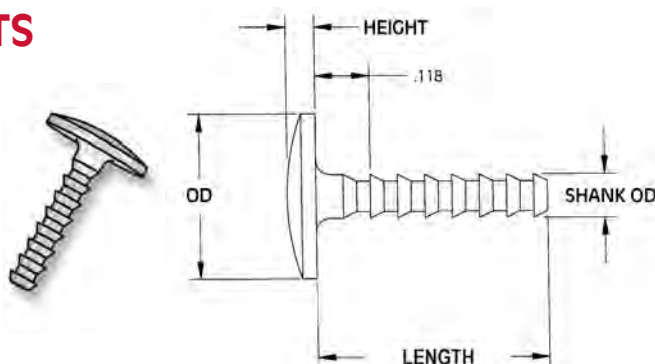
PANEL FASTENERS AND HOLE PLUGS

SECTION
VI

ADJUSTABLE MALE MINI RIVETS

Molded in **Natural Nylon 6/6**

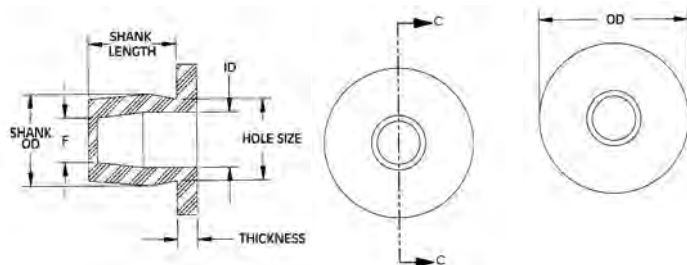
Adjustable male mini rivets are designed to be used with Micro Plastics' female mini rivets. Rivets are molded in tough, resilient, corrosion and chemical resistant Nylon 6/6 material. Variable length rivets can be used to fasten and control computer sheets, catalogs, samples and many other objects. Simply push the adjustable rivet through pre-punched holes, secure with a female mini rivet and clip to desired length.



PART NUMBER	OD	SHANK OD	HEIGHT	LENGTH	PANEL THICKNESS	
27AMR1252187	1/2 (12,70)	.123 (3,12)	1/16 (1,57)	2 5/16" (58,72)	1/8 - 2 3/16 (3,18-55,55)	FOR USE WITH 27MRP12 FEMALE MINI RIVET
27AMR0940375	.354 (8,99)	.094 (2,39)	.062 (1,57)	3/8" (9,52)	.070-.290 (1,77-7,36)	FOR USE WITH 27MRP09 FEMALE MINI RIVET
27AMR0940500	.354 (8,99)	.094 (2,39)	1/16 (1,57)	1/2" (12,70)	1/16 - 3/8 (1,57-9,53)	FOR USE WITH 27MRP09 FEMALE MINI RIVET

TUBULAR EMBLEM CLIPS

Molded in **Natural Polyethylene**



Micro Plastic's Tubular Emblem Clips or Speed Nut Clips offer a low substitute to the expensive all metal or metal/rubber clips. These easily installed molded low density polyethylene clips eliminate paint and surface damage. The inevitable rust associated with the sharp metal parts they replace is also eliminated by the electrically insulating, non-cathodic plastic clip.

ITEM NUMBER	DESCRIPTION	OD	THICKNESS	SHANK OD	ID	HOLE SIZE REF.	SHANK LENGTH
60TC125250	1/8 X .250 TUBE CLIP	11/32 (8,73)	.046 (1,17)	.209 (5,31)	.125 (3,17)	.187 (4,76)	.200 (5,08)
60TC155200 *	5/32 X .200 TUBE CLIP	11/32 (8,73)	.046 (1,17)	.239 (6,07)	.155 (3,94)	.220 (5,59)	.150 (3,81)
60TC155360	5/32 X .360 TUBE CLIP	11/32 (8,73)	.046 (1,17)	.239 (6,07)	.155 (3,94)	.220 (5,59)	.310 (7,88)
60TC155600	5/32 X .600 TUBE CLIP	11/32 (8,73)	.046 (1,17)	.239 (6,07)	.155 (3,94)	.220 (5,59)	.550 (13,97)

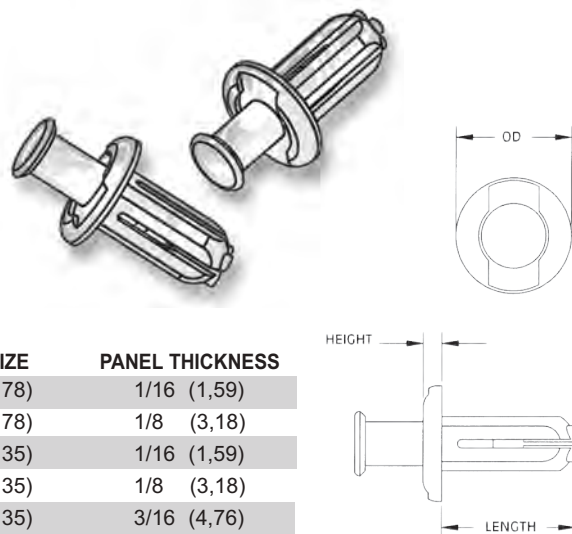
* I.D. HAS A THRU HOLE

TWO-PIECE REMOVABLE RIVETS

Molded in **Natural Nylon 6/6**

Removable rivets are two-piece nylon rivets which can be removed by retracting the pin, and then the body. The body incorporates a slot in line with the pin so that the pin can be removed by inserting a small screw driver, other sharp edge, or even a fingernail underneath the head of the pin.

* In addition to working in a .250 round hole, part number 61RR250500, will also fit the .210"/.218" square hole found in the "darling" type shelf commonly used in retail stores.



PART NUMBER	OD	HEIGHT	LENGTH	HOLE SIZE	PANEL THICKNESS
61RR188062	3/8 (9,53)	.07 (1,78)	1/2 (12,70)	.188 (4,78)	1/16 (1,59)
61RR188125	3/8 (9,53)	.07 (1,78)	1/2 (12,70)	.188 (4,78)	1/8 (3,18)
* 61RR250500	7/16 (11,11)	.07 (1,78)	1/2 (12,70)	.250 (6,35)	1/16 (1,59)
61RR250125	7/16 (11,11)	.07 (1,78)	1/2 (12,70)	.250 (6,35)	1/8 (3,18)
61RR250188	7/16 (11,11)	.07 (1,78)	1/2 (12,70)	.250 (6,35)	3/16 (4,76)