

# CIRCUIT BOARD HARDWARE

SECTION  
**VIII**

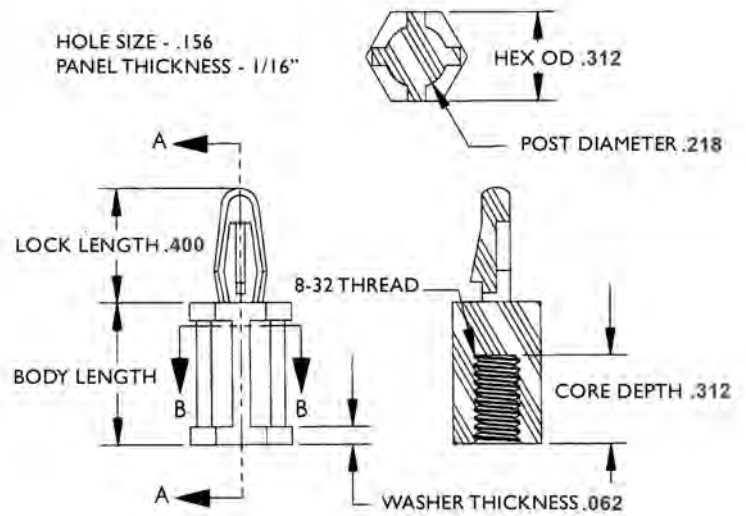
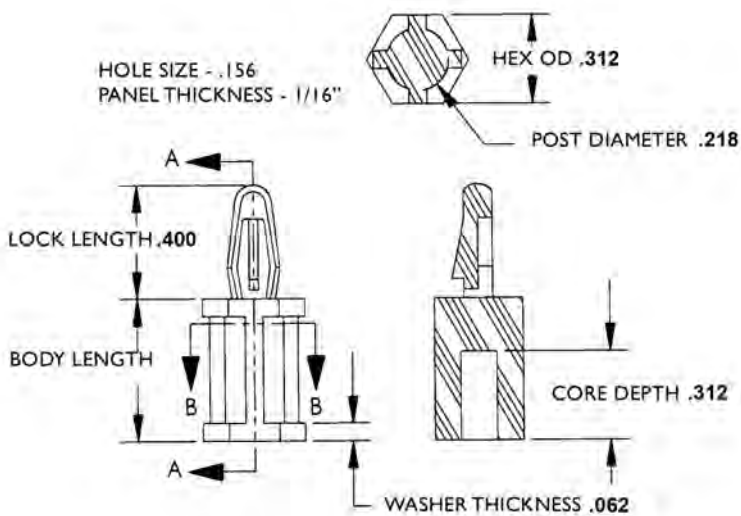
## FEMALE CIRCUIT BOARD POSTS

Molded in **Natural Nylon 6/6**



**NOTE: SELF-THREADING POSTS ARE DESIGNED FOR USE WITH A #6 SELF-TAPPING SCREW.**

PANEL THICKNESS 1/16"



### SELF-THREADING

ITEM NUMBER	DESCRIPTION	BODY LENGTH
27FSTP00250*	FSTP 250	.250 (6,35)
27FSTP00375	FSTP 375	.375 (9,53)
27FSTP00500	FSTP 500	.500 (12,70)
27FSTP00625	FSTP 625	.625 (15,88)
27FSTP00750	FSTP 750	.750 (19,05)
27FSTP00875	FSTP 875	.875 (22,23)
27FSTP01000	FSTP 1000	1.000 (25,40)
27FSTP01125	FSTP 1125	1.125 (28,58)
27FSTP01250	FSTP 1250	1.250 (31,75)
27FSTP01406	FSTP 1406	1.406 (35,71)

\* 1/4" length has a thread depth of 13/64"

### THREADED

ITEM NUMBER	DESCRIPTION	BODY LENGTH
27FTP00250*	FTP 250	.250 (6,35)
27FTP00375	FTP 375	.375 (9,53)
27FTP00500	FTP 500	.500 (12,70)
27FTP00625	FTP 625	.625 (15,88)
27FTP00750	FTP 750	.750 (19,05)
27FTP00875	FTP 875	.875 (22,23)
27FTP01000	FTP 1000	1.000 (25,40)
27FTP01125	FTP 1125	1.125 (28,58)
27FTP01250	FTP 1250	1.250 (31,75)
27FTP01406	FTP 1406	1.406 (35,71)

\* 1/4" length has a thread depth of 13/64"