

CIRCUIT BOARD HARDWARE

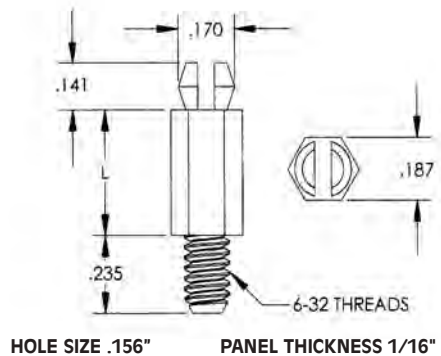
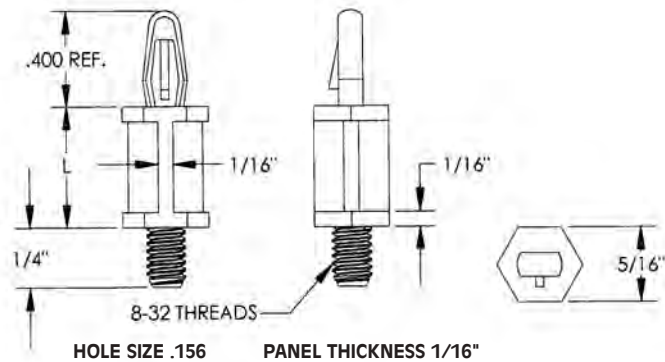
SECTION VIII

LOCKING MINIATURE SUPPORT POSTS "MLSP" SERIES

Molded in **Natural Nylon 6/6**



ITEM NUMBER	A	HOLE SIZE	PANEL THICKNESS	SHANK STYLE
27MLSP00187	.187 (4,75)	.125 (3,18)	.062 (1,57)	B
27MLSP00312	.312 (7,92)	.125 (3,18)	.062 (1,57)	A
27MLSP00562	.562 (14,27)	.125 (3,18)	.062 (1,57)	A
27MLSP00625	.625 (15,88)	.125 (3,18)	.062 (1,57)	A



**METRIC Sizes
Also Available**

Page 284

"LOCKING LMTP" SERIES MALE PCB SUPPORT POSTS

Molded in **Natural Nylon 6/6**

ITEM NUMBER	DESCRIPTION	L
27LMTP00250	LMTP 250	.250 (6,35)
27LMTP00375	LMTP 375	.375 (9,53)
27LMTP00500	LMTP 500	.500 (12,70)
27LMTP00625	LMTP 625	.625 (15,88)
27LMTP00750	LMTP 750	.750 (19,05)
27LMTP00875	LMTP 875	.875 (22,23)
27LMTP01000	LMTP 1000	1.000 (25,40)
27LMTP01125	LMTP 1125	1.125 (28,58)
27LMTP01500	LMTP 1500	1.500 (38,10)

"MTP" SERIES MALE PCB SUPPORT POSTS

Molded in **Natural Nylon 6/6**

ITEM NUMBER	DESCRIPTION	L
27MTP00125	MTP 125	.125 (3,18)
27MTP00187	MTP 187	.187 (4,75)
27MTP00250	MTP 250	.250 (6,35)
27MTP00375	MTP 375	.375 (9,53)
27MTP00395	MTP 395	.395 (10,03)
27MTP00500	MTP 500	.500 (12,70)
27MTP00625	MTP 625	.625 (15,88)
27MTP00750	MTP 750	.750 (19,05)
27MTP00875	MTP 875	.875 (22,23)