

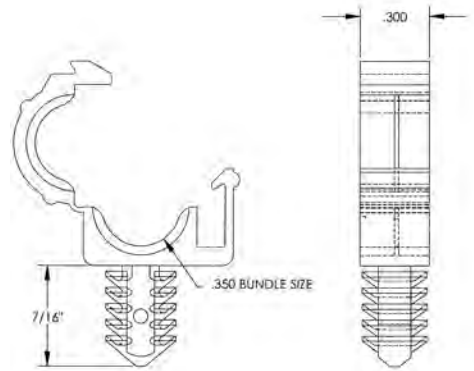
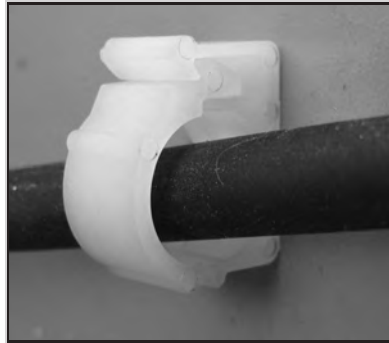
WIRE HANDLING HARDWARE

SECTION
VII

"SPECIAL ITEM" RELEASABLE CLAMP ON FIN CLIP BASE

Molded in **Natural Nylon 6/6**

NOTES
HOLE SIZE - .256
PANEL THICKNESS - .020/.203

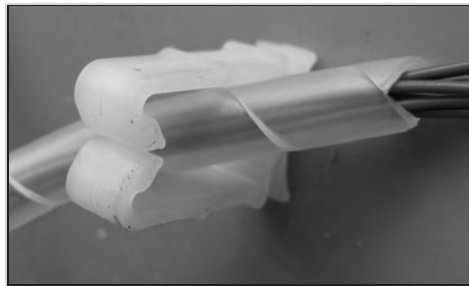
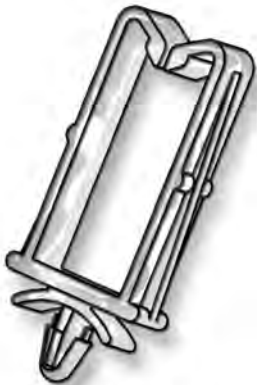
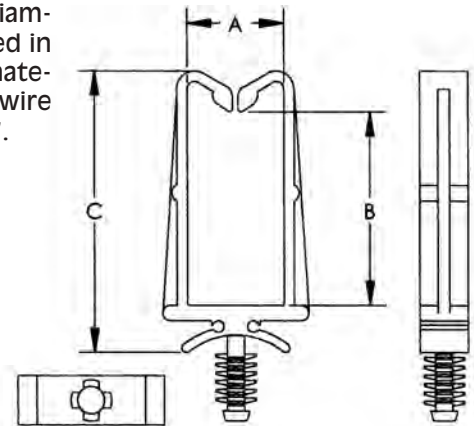
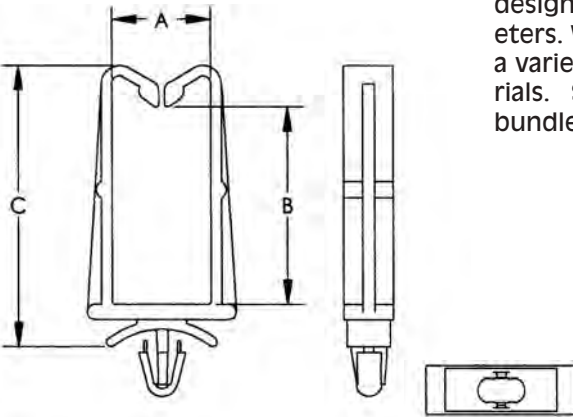


ITEM NUMBER
23RCFB035C

WIRE/CABLE HOLDERS

Molded in **Natural Nylon 6/6**

Micro Plastics' Wire/Cable Holders are designed to mount into 3/16 hole diameters. Wire/Cable Holders can be used in a variety of panel thicknesses and materials. Sizes are available to handle wire bundle diameters from .375" to .500".



22WHB_SERIES

22WHA_SERIES

ITEM NUMBER	A	B	C	HOLE DIA.	PANEL RANGE
22WHA375050	.375 (9,53)	.500 (12,70)	.922 (23,42)	.187 (4,76)	VARIABLE
22WHA375075	.375 (9,53)	.750 (19,05)	1.172 (29,80)	.187 (4,76)	VARIABLE
22WHA500075	.500 (12,70)	.750 (19,05)	1.219 (30,96)	.187 (4,76)	VARIABLE
22WHA500100	.500 (12,70)	1 (25,40)	1.469 (37,31)	.187 (4,76)	VARIABLE
22WHB375050	.375 (9,53)	.500 (12,70)	.900 (22,86)	.187 (4,76)	.030 (0,76)/.093 (2,36)
22WHB375075	.375 (9,53)	.750 (19,05)	1.172 (29,80)	.187 (4,76)	.030 (0,76)/.093 (2,36)
22WHB500075	.500 (12,70)	.750 (19,05)	1.200 (30,48)	.187 (4,76)	.030 (0,76)/.093 (2,36)
22WHB500100	.500 (12,70)	1 (25,40)	1.425 (36,20)	.187 (4,76)	.030 (0,76)/.093 (2,36)

**METRIC Sizes
Also Available**
Page 283