

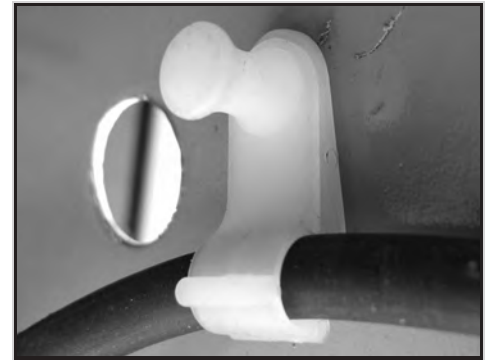
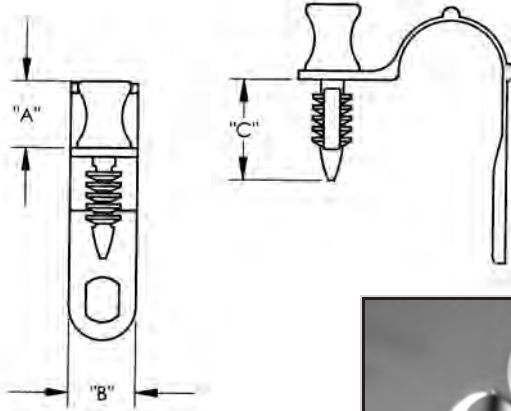
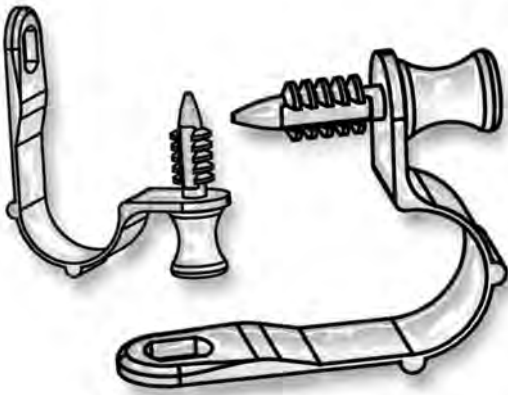
# WIRE HANDLING HARDWARE

## SECTION VII

### QUICK CABLE CLAMPS

Molded in **Natural Nylon 6/6**

Quick cable clamps are designed for one-handed installation. The design features an integrated ratchet fastener which eliminates the need for a screw or other fastener. Quick cable clamps are self-aligning, and the built-in handle allows for quick and easy installation without tools. The parts are molded from Nylon 6/6 and are suitable for many different wire, cable, or tubing routing applications. Parts are designed to fit a 3/16" diameter hole.

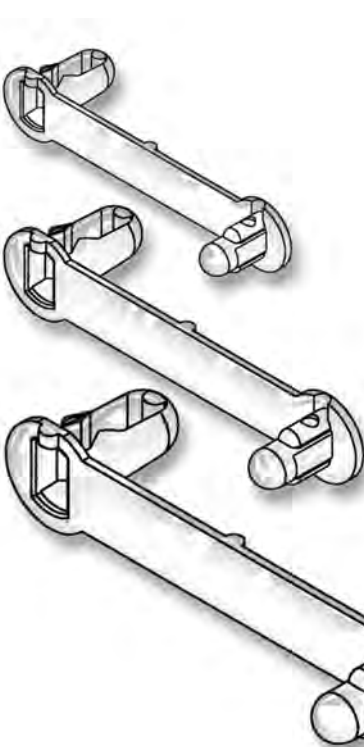


ITEM NUMBER	BUNDLE DIA.	KNOB LENGTH "A"	WIDTH CLIP "B"	LENGTH "C"
22QCC187250	1/4" (6,35)	.375 (9,53)	.375 (9,53)	.528 (13,41)
22QCC187312	5/16" (7,94)	.375 (9,53)	.375 (9,53)	.528 (13,41)
22QCC187375	3/8" (9,53)	.375 (9,53)	.375 (9,53)	.528 (13,41)
22QCC187437	7/16" (11,1)	.375 (9,53)	.375 (9,53)	.528 (13,41)

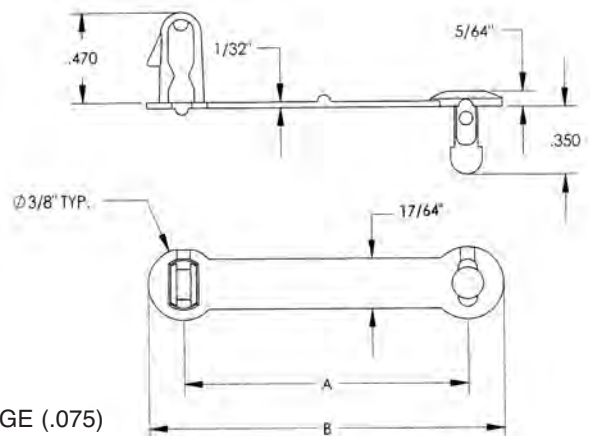
### WIRE AND TUBE RETAINING STRAPS

Molded in **Natural Nylon 6/6**

Wire and tube retaining straps are designed to be pushed into a .250 dia. hole, the wire or tube can then be placed on the strap, simply push the pin end into the receiver end and the wire or tube is secured in place.



PANEL THICKNESS 3/16"  
 FITS 1/4" HOLE SIZE  
 PANEL RANGE FITS UP TO 14 GAUGE (.075)



ITEM NUMBER	BUNDLE DIAMETER	"A" REFERENCE	"B" REFERENCE
22WTR2500312	.312 (7,93)	1.530 (38,86)	1.905 (48,39)
22WTR2500375	.375 (9,52)	1.730 (43,94)	2.105 (53,47)
22WTR2500437	.437 (11,10)	1.930 (49,02)	2.305 (58,55)
22WTR2500500	.500 (12,70)	2.130 (54,10)	2.528 (64,21)
22WTR2500562	.562 (14,28)	2.360 (59,94)	2.735 (69,47)