

# WIRE HANDLING HARDWARE

## SECTION VII

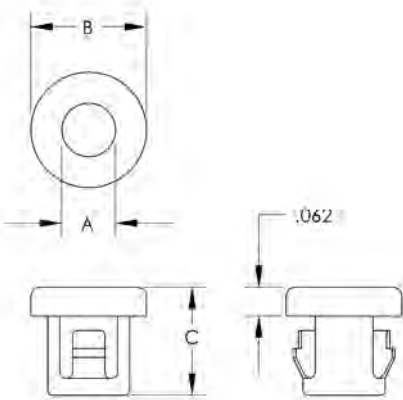
Micro Plastics' bushings provide economical protection for wire, cable tubing, and hose from sharp, uneven drilled or punched holes in sheet metal. The tough, resilient heat stabilized nylon bushings are easily and positively snapped into position without tools. The bushings are the economical solution to insulate wire, cables, etc. from raw edges in compact designs where internal clearances are critical. Miniature bushings accommodate panels up to 1/16" thickness and require only 1/8" clearance.



- \* MATERIAL HEAT STABILIZED NYLON UL 94V2
- \* TEMPERATURE INDEX 105 ° C
- \* STOCKED IN STANDARD BLACK
- \* COLORS AVAILABLE ON REQUEST



NOTE: +/- .015" TOLERANCES on B and C DIMENSIONS.



## MINIATURE INSULATING BUSHINGS

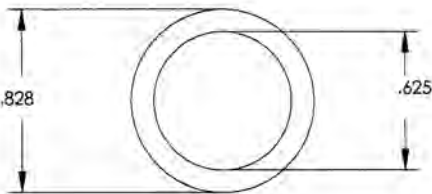
Molded in **Black Heat Stabilized Nylon UL 94V2**

PART NUMBER	INSIDE DIA. "A"	HEAD DIA. "B"	THICKNESS "C"	HOLE DIA. (PANEL)
22MP01010	.125 (3,2)	.250 (6,4)	.234 (6,2)	.187 (4,8)
22MP01015	.250 (6,4)	.375 (9,5)	.234 (6,2)	.312 (8,0)
22MP01017	.250 (6,4)	.437 (11,10)	.250 (6,4)	.375 (9,53)
22MP01020	.343 (8,8)	.531 (13,5)	.250 (6,4)	.468 (11,9)
22MP01030	.375 (9,5)	.562 (14,3)	.250 (6,4)	.500 (12,7)
22MP01040	.406 (10,3)	.593 (15,2)	.250 (6,4)	.531 (13,5)
22MP01050	.500 (12,7)	.703 (17,9)	.250 (6,4)	.625 (15,9)
22MP01060	.625 (16,0)	.828 (21,0)	.250 (6,4)	.750 (19,0)
22MP01070	.625 (16,0)	.859 (21,5)	.250 (6,4)	.781 (19,9)
22MP01080	.750 (19,0)	.937 (23,8)	.250 (6,4)	.875 (22,2)

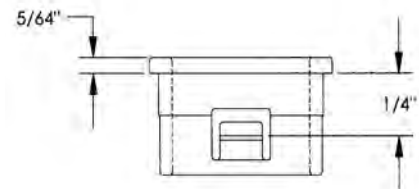
ALL ITEMS PACKAGED 1,000 PER BAG

## STANDARD INSULATING BUSHING

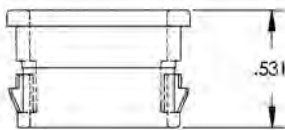
Molded in **Black Heat Stabilized Nylon UL 94V2**



NOTE:  
HOLE DIAMETER - .750  
MAXIMUM THICKNESS - .250



Packaged 1,000 pieces per bag



PART NUMBER

22MP07525