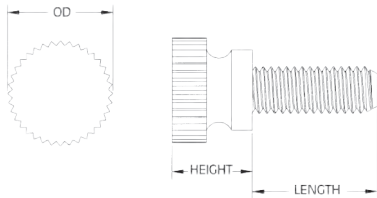


KNURLED HEAD THUMB SCREWS

Molded in **Natural Nylon 6/6**

PART NUMBER	SCREW SIZE	THREAD	LENGTH
090440018T	4	440	3/16
090440025T	4	440	1/4
090440037T	4	440	3/8
090440050T	4	440	1/2
090440075T	4	440	3/4
090632025T	6	632	1/4
090632037T	6	632	3/8
090632050T	6	632	1/2
090632075T	6	632	3/4
090632100T	6	632	1
090832018T	8	832	3/16
090832025T	8	832	1/4
090832037T	8	832	3/8
090832050T	8	832	1/2
090832075T	8	832	3/4
090832100T	8	832	1
091024050T	10	1024	1/2
091024075T	10	1024	3/4
091024100T	10	1024	1
091024125T	10	1024	1 1/4
091024200T	10	1024	2
091032037T	10	1032	3/8
091032050T	10	1032	1/2
091032075T	10	1032	3/4
091032100T	10	1032	1
091032150T	10	1032	1 1/2
091032200T	10	1032	2
092520025T	1/4	1/4-20	1/4
092520037T	1/4	1/4-20	3/8
092520050T	1/4	1/4-20	1/2
092520075T	1/4	1/4-20	3/4
092520100T	1/4	1/4-20	1
092520125T	1/4	1/4-20	1 1/4
092520150T	1/4	1/4-20	1 1/2
0931218050T	5/16	5/16-18	1/2
0931218075T	5/16	5/16-18	3/4
0931218100T	5/16	5/16-18	1
0931218150T	5/16	5/16-18	1 1/2
0931218200T	5/16	5/16-18	2
0937516050T	3/8	3/8-16	1/2
0937516100T	3/8	3/8-16	1
0937516150T	3/8	3/8-16	1 1/2
0937516200T	3/8	3/8-16	2
0950013050T	1/2	1/2-13	1/2
0950013100T	1/2	1/2-13	1
0950013150T	1/2	1/2-13	1 1/2



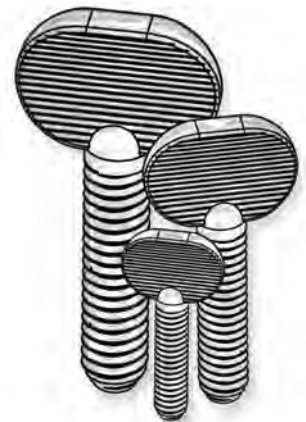
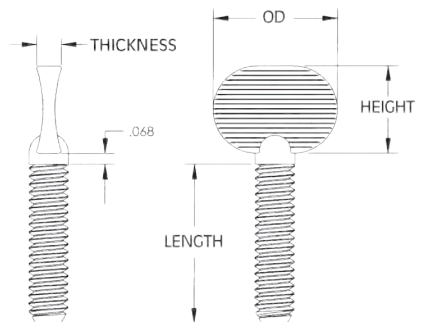
SCREW SIZE	OD *	HEIGHT *
4	.300 (7,62)	.280 (7,11)
6	.360 (98,14)	.275 (6,99)
8	.425 (10,80)	.305 (7,75)
10	.425 (10,80)	.325 (8,26)
1/4	.540 (13,72)	.365 (9,27)
5/16	.615 (15,62)	.385 (9,78)
3/8	.687 (17,45)	.430 (10,92)
1/2	.750 (19,05)	.468 (11,89)

OVAL HEAD THUMB SCREWS

Molded in **Natural Nylon 6/6**

PART NUMBER	SCREW SIZE	THREAD	LENGTH
092520037V	1/4	1/4-20	3/8
092520050V	1/4	1/4-20	1/2
092520062V	1/4	1/4-20	5/8
092520100V	1/4	1/4-20	1
092520150V	1/4	1/4-20	1 1/2
092520175V	1/4	1/4-20	1 3/4
092520200V	1/4	1/4-20	2
092520250V	1/4	1/4-20	2 1/2

Molded in **Natural Nylon 6/6**



SCREW SIZE	OD	HEIGHT	THICKNESS
1/4	.780	.550	5/32