

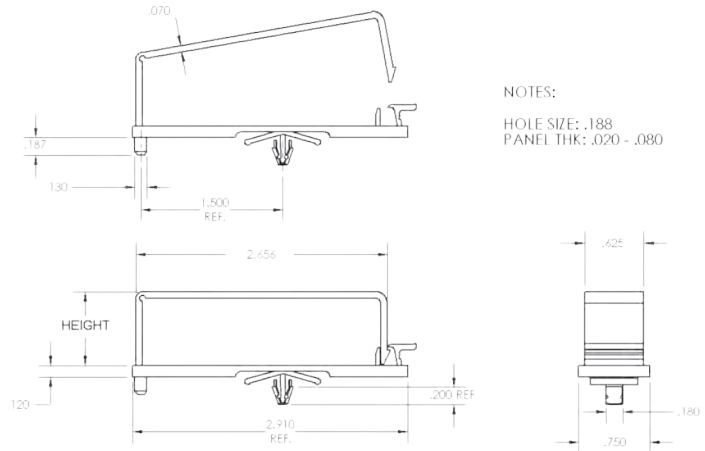
# WIRE HANDLING HARDWARE

## SECTION VII

### WIRE CLIP

Molded in **Natural Nylon 6/6**

**New  
SIZE**



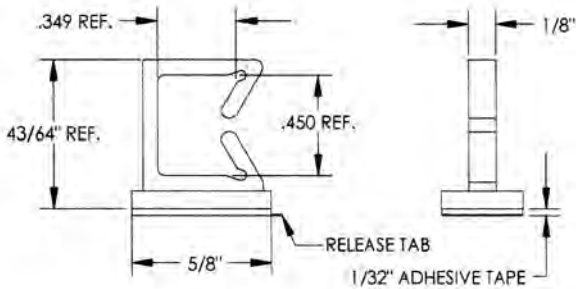
NOTES:  
HOLE SIZE: .188  
PANEL THK: .020 - .080

ITEM NUMBER	HEIGHT
22ACC780265	.780
22ACC812265	.900

## RELEASABLE ADHESIVE BACKED WIRE CLIPS

Molded in **Natural Nylon 6/6** - Backed With Polyethylene foam tape

Micro Plastics' Releasable Adhesive Backed Wire Clip with handy release tab is used to route wires and cables. Molded in UL recognized Nylon 6/6 with double coated Polyethylene foam tape. Clip has side entry for ease of wire installation.



ITEM NUMBER	DESCRIPTION
22AWC350450TAB	RELEASABLE ADHESIVE CLIP

## LAMP SNAP BUSHINGS "internal"

Molded in **Black Hi-density Polyethylene**

Micro Plastics' Lamp Snap Bushings are an economical approach to the protection of lampcord insulation, from the sharp and often burred ends of the standard threaded pipe used in lamp manufacture. Bushings are molded of black Hi-density Polyethylene, to allow flexibility for easy installation, and durability for long lasting cord protection.



ITEM NUMBER	DESCRIPTION	L	A	B	F	G
04MP0125SB	1/8" SNAP	1/4" (6,35)	3/8" (9,53)	1/32" (0,79)	.298 (7,57)	.230 (5,84)
04MP0250SB	1/4" SNAP	15/32" (11,9)	27/64" (10,72)	1/32" (0,79)	.375 (9,53)	.312 (7,94)

Minimum order quantity 1,000 pieces