

WASHERS, SHOULDER WASHERS & SCREW INSULATORS

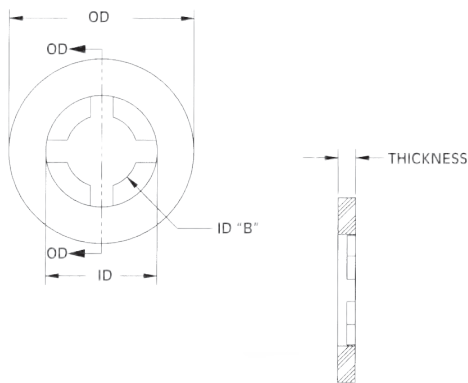
SECTION IV

RETAINING WASHERS

Molded in **Natural Nylon 6/6**

Similar to our standard flat washers, but with a specially configured I.D. designed to grip the outside of the screw shank. The washer slides on the screw easily, but is retained on the screw. For use in applications requiring pre-assembly of the screw and washer, to reduce final assembly cost.

Other sizes will be tooled on request.

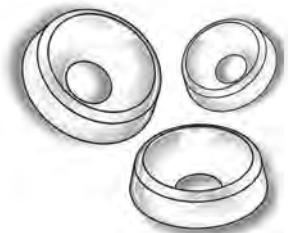
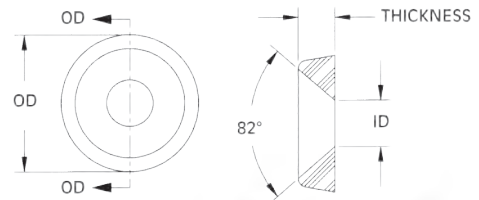


ITEM NUMBER	SCREW SIZE	OD	ID	ID "B"	THICKNESS
16FWRT002032	2	13/64 (5,16)	.115 (2,92)	.078 (1,98)	.032 (0,81)
16FWRT002062	2	13/64 (5,16)	.115 (2,92)	.078 (1,98)	.062 (1,58)
16FWRT004032	4	17/64 (6,75)	.156 (3,96)	.102 (2,59)	.032 (0,81)
16FWRT004050	4	1/4 (25,40)	.156 (3,96)	.102 (2,59)	.050 (1,27)
16FWRT004062	4	17/64 (6,75)	.156 (3,96)	.102 (2,59)	.062 (1,58)
16FWRT004125	4	17/64 (6,75)	.156 (3,96)	.102 (2,59)	.125 (3,18)
16FWRT006032	6	21/64 (8,33)	.198 (5,03)	.128 (3,25)	.032 (0,81)
16FWRT006062	6	21/64 (8,33)	.198 (5,03)	.128 (3,25)	.062 (1,58)
16FWRT007062	7	.750 (19,05)	.375 (9,53)	.215 (5,46)	.062 (1,58)
16FWRT007062A	7	1.000 (25,40)	.375 (9,53)	.215 (5,46)	.062 (1,58)
16FWRT008032	8	25/64 (9,92)	.235 (5,97)	.152 (3,86)	.032 (0,81)
16FWRT008032A	8	.390 (9,91)	.235 (5,97)	.135 (3,43)	.032 (0,81)
16FWRT008032C	8	.328 (8,33)	.235 (5,96)	.152 (3,86)	.032 (0,81)
16FWRT008045	8	.453 (11,51)	.218 (5,54)	.135 (3,43)	.045 (1,14)
16FWRT008062	8	25/64 (9,92)	.235 (5,97)	.152 (3,86)	.062 (1,58)
16FWRT010032	10	29/64 (11,51)	.277 (7,04)	.177 (4,50)	.032 (0,81)
16FWRT010059	10	.787 (19,99)	.275 (6,99)	.177 (4,50)	.059 (1,50)
16FWRT010062	10	29/64 (11,51)	.277 (7,04)	.177 (4,50)	.062 (1,58)
16FWRT010062A	10	1/2 (12,70)	.277 (7,04)	.177 (4,50)	.062 (1,58)
16FWRT010062C	10	.630 (16,00)	.277 (7,04)	.177 (4,50)	.062 (1,58)
16FWRT250032	1/4	19/32 (15,08)	.375 (9,53)	.234 (5,94)	.032 (0,81)
16FWRT250032A	1/4	.500 (12,70)	.344 (8,74)	.234 (5,94)	.032 (0,81)
16FWRT250062	1/4	19/32 (15,08)	.375 (9,53)	.234 (5,94)	.062 (1,58)
16FWRT250062A	1/4	1-1/2 (38,10)	.450 (11,43)	.234 (5,94)	.062 (1,58)
16FWRT250062C	1/4	1-1/2 (38,10)	.375 (9,53)	.234 (5,94)	.062 (1,58)
16FWRT250062E	1/4	.734 (18,64)	.375 (9,53)	.234 (5,94)	.062 (1,57)
16FWRT312032	5/16	47/64 (18,65)	.470 (11,94)	.292 (7,42)	.032 (0,81)
16FWRT312062	5/16	47/64 (18,65)	.470 (11,94)	.292 (7,42)	.062 (1,58)
16FWRT375032	3/8	57/64 (22,62)	.564 (14,33)	.350 (8,89)	.032 (0,81)
16FWRT375062	3/8	57/64 (22,62)	.564 (14,33)	.350 (8,89)	.062 (1,58)
16FWRT375062A	3/8	1.260 (32,00)	.563 (14,30)	.350 (8,89)	.062 (1,58)
16FWRT375062C	3/8	47/64 (18,65)	.564 (14,33)	.350 (8,89)	.062 (1,58)
16FWRT437032	7/16	1-1/32 (26,19)	.570 (14,48)	.410 (10,41)	.032 (0,81)
16FWRT437062	7/16	1-1/32 (26,19)	.570 (14,48)	.410 (10,41)	.062 (1,58)
16FWRT500032	1/2	1-1/8 (28,58)	.690 (17,53)	.468 (11,89)	.032 (0,81)
16FWRT500062	1/2	1-1/8 (28,58)	.690 (17,53)	.468 (11,89)	.062 (1,58)
16FWRT875062	7/8	1-11/32 (34,14)	.940 (23,88)	.825 (20,96)	.062 (1,58)
16FWRT999062	1	1.385 (35,18)	1.070 (27,18)	.970 (24,64)	.062 (1,58)

FINISHING WASHERS

Molded in **Natural Nylon 6/6**

Available in natural or black nylon, these molded washers protect cabinets from scratching, cover misaligned holes, etc. May also be used as glides, bumpers, feet, and spacers.



ITEM NUMBER	FITS SCREW	OD	ID	THICKNESS
11SFW0006	6	.437 (11,10)	.143 (3,63)	.100 (2,54)
11SFW0008	8	.510 (12,95)	.171 (4,34)	.115 (2,92)
11SFW0010	10	.575 (14,61)	.196 (4,98)	.152 (3,86)
11SFW0012	12	.609 (15,47)	.225 (5,75)	.160 (4,06)
11SFW0025	1/4	.683 (17,35)	.260 (6,61)	.180 (4,57)