

UNIVERSAL NUTS

SECTION



STOCKED IN NYLON 6/6 UL 94V2 - CAN BE FURNISHED IN ACETAL

METRIC Sizes
Also Available

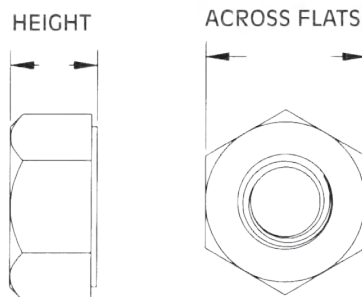
Page 273

HEX NUT

Molded in Natural Nylon 6/6

ITEM NUMBER	SCREW SIZE	THREAD	ACROSS FLATS	HEIGHT
0400256HN	2	256	.180 (4,57)	.070 (1,78)
0400348HN	3	348	.180 (4,57)	.070 (1,78)
0400440HN	4	440	.250 (6,35)	.100 (2,54)
0400632HN	6	632	.305 (7,75)	.120 (3,05)
0400640HN	6	640	.305 (7,75)	.120 (3,05)
0400832HN	8	832	.335 (8,51)	.130 (3,30)
0401024HN	10	1024	.365 (9,27)	.135 (3,43)
0401032HN	10	1032	.365 (9,27)	.135 (3,43)
0401224HN	12	1224	.425 (10,80)	.207 (5,26)
* 0425020HN	1/4	1/4-20	.425 (10,80)	.235 (5,97)
* 0425028HN	1/4	1/4-28	.425 (10,80)	.235 (5,97)
0431218HN	5/16	5/16-18	.500 (12,70)	.270 (6,86)
0431224HN	5/16	5/16-24	.500 (12,70)	.270 (6,86)
0437516HN	3/8	3/8-16	.560 (14,22)	.330 (8,38)
0437524HN	3/8	3/8-24	.560 (14,22)	.330 (8,38)
0437532HN	3/8	3/8-32	.560 (14,22)	.330 (8,38)
0443714HN	7/16	7/16-14	.685 (17,40)	.380 (9,65)
0443720HN	7/16	7/16-20	.685 (17,40)	.380 (9,65)
0450013HN	1/2	1/2-13	.750 (19,05)	.430 (10,92)
* 0450020HN	1/2	1/2-20	.750 (19,05)	.430 (10,92)
0462511HN	5/8	5/8-11	.925 (23,40)	.550 (13,97)
0462518HN	5/8	5/8-18	.925 (23,50)	.550 (13,97)
0468727HN	11/16	11/16-27	1.00 (25,40)	.250 (6,35)
0475010HN	3/4	3/4-10	1.10 (27,94)	.640 (16,26)
0487509HN	7/8	7/8-9	1.28 (32,51)	.750 (19,05)
0410008HN	1	1-8	1.48 (37,34)	.870 (22,10)

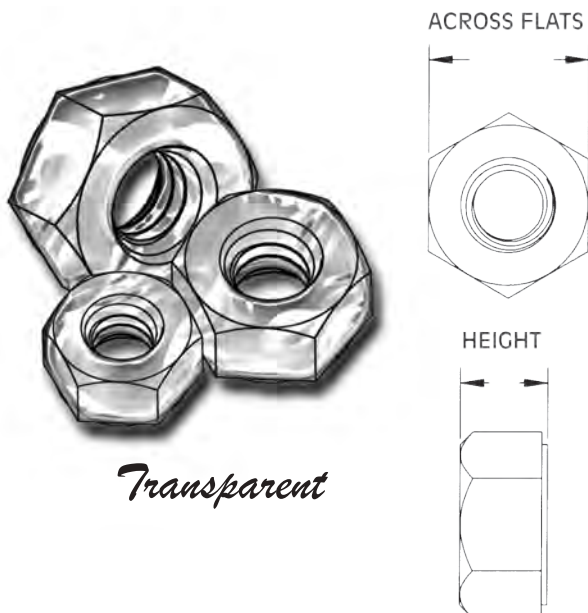
* PARTS MEASURE TO IFI SPECIFICATIONS



SPECIAL HEX NUTS

Molded in Natural Nylon 6/6

ITEM NUMBER	SCREW SIZE	THREAD	ACROSS FLATS	HEIGHT
0400256HNS	2	256	.180 (4,57)	.090 (2,29)
0400440HNS	4	440	.250 (6,35)	.124 (3,15)
0400632HNS	6	632	.305 (7,75)	.146 (3,71)
0400832HNS	8	832	.340 (8,64)	.170 (4,32)
0401024HNS	10	1024	.365 (9,27)	.196 (4,98)
0401032HNS	10	1032	.365 (9,37)	.196 (4,98)
0425020HNS	1/4	1/4-20	.425 (10,80)	.258 (6,55)



Transparent

POLYCARBONATE HEX NUTS

Molded in Transparent Polycarbonate

Micro Plastics' Polycarbonate Hex Nuts can be used with our Polycarbonate Screws to produce a transparent fastening. Polycarbonate properties are not affected by water absorption and have better impact and deflection temperature than Nylon.

ITEM NUMBER	SCREW SIZE	THREAD	ACROSS FLATS	HEIGHT
0400440HNPC	4	440	.250 (6,35)	.100 (2,54)
0400632HNPC	6	632	.305 (7,75)	.120 (3,05)
0400832HNPC	8	832	.335 (8,51)	.130 (3,30)
0401032HNPC	10	1032	.365 (9,27)	.135 (3,43)