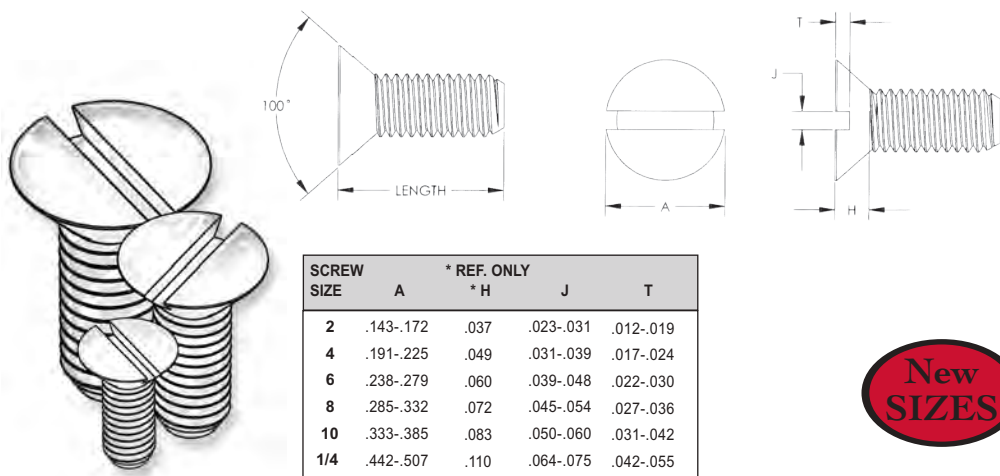


# SCREWS, BOLTS, & THREADED ROD

SECTION

II

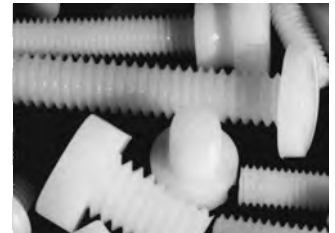


SCREW SIZE	A	* REF. ONLY		
		* H	J	T
2	.143-.172	.037	.023-.031	.012-.019
4	.191-.225	.049	.031-.039	.017-.024
6	.238-.279	.060	.039-.048	.022-.030
8	.285-.332	.072	.045-.054	.027-.036
10	.333-.385	.083	.050-.060	.031-.042
1/4	.442-.507	.110	.064-.075	.042-.055

## 100° FLAT HEADSTYLE

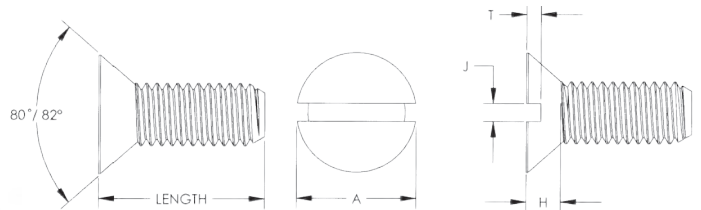
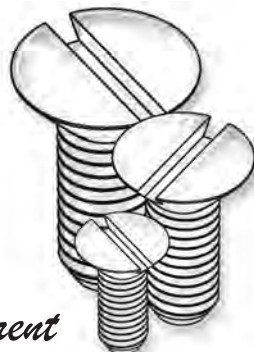
Molded in **Natural Nylon 6/6**

PART NUMBER	SCREW SIZE	THREAD	LENGTH	PART NUMBER	SCREW SIZE	THREAD	LENGTH	PART NUMBER	SCREW SIZE	THREAD	LENGTH	PART NUMBER	SCREW SIZE	THREAD	LENGTH
020256B009	2	256	3/32	020440B062	4	440	5/8	020832B062	8	832	5/8	021032B150	10	1032	1 1/2
020256B012	2	256	1/8	020440B075	4	440	3/4	020832B075	8	832	3/4	021032B200	10	1032	2
020256B018	2	256	3/16	020440B100	4	440	1	020832B100	8	832	1	022520B025	1/4	1/4-20	1/4
020256B025	2	256	1/4	020632B018	6	632	3/16	020832B125	8	832	1 1/4	022520B037	1/4	1/4-20	3/8
020256B031	2	256	5/16	020632B025	6	632	1/4	020832B150	8	832	1 1/2	022520B062	1/4	1/4-20	5/8
020256B037	2	256	3/8	020632B031	6	632	5/16	021024B025	10	1024	1/4	022520B075	1/4	1/4-20	3/4
020256B043	2	256	7/16	020632B037	6	632	3/8	021024B050	10	1024	1/2	022520B087	1/4	1/4-20	7/8
020256B050	2	256	1/2	020632B050	6	632	1/2	021024B075	10	1024	3/4	022520B100	1/4	1/4-20	1
020256B062	2	256	5/8	020632B062	6	632	5/8	021024B081	10	1024	13/16	022520B106	1/4	1/4-20	1-1/16
020256B075	2	256	3/4	020632B075	6	632	3/4	021024B100	10	1024	1	022520B112	1/4	1/4-20	1-1/8
020256B100	2	256	1	020632B100	6	632	1	021024B150	10	1024	1 1/2	022520B150	1/4	1/4-20	1-1/2
020440B018	4	440	3/16	020632B112	6	632	1 1/8	021032B025	10	1032	1/4	022520B200	1/4	1/4-20	2
020440B025	4	440	1/4	020632B150	6	632	1 1/2	021032B037	10	1032	3/8				
020440B028	4	440	9/32	020832B018	8	832	3/16	021032B050	10	1032	1/2				
020440B031	4	440	5/16	020832B025	8	832	1/4	021032B062	10	1032	5/8				
020440B037	4	440	3/8	020832B037	8	832	3/8	021032B068	10	1032	11/16				
020440B050	4	440	1/2	020832B050	8	832	1/2	021032B075	10	1032	3/4				
020440B053	4	440	17/32	020832B053	8	832	17/32	021032B100	10	1032	1				



## 82° FLAT HEADSTYLE Molded in **Transparent UL94V2 Polycarbonate**

SCREW SIZE	A	H *Ref. Only	J	T
2	.147-.172	.051	.023-.031	.015-.023
4	.195-.225	.067	.031-.039	.020-.030
6	.244-.279	.083	.039-.048	.024-.038
10	.340-.385	.116	.050-.060	.034-.053



PART NUMBER	SCREW SIZE	THREAD	LENGTH	MATERIAL
020256A012PC	2	256	1/8	POLYCARBONATE
020256A018PC	2	256	3/16	POLYCARBONATE
020256A025PC	2	256	1/4	POLYCARBONATE
020256A050PC	2	256	1/2	POLYCARBONATE
020256A037PC	2	256	3/8	POLYCARBONATE
020440A018PC	4	440	3/16	POLYCARBONATE
020632A025PC	6	632	1/4	POLYCARBONATE
021032A062PC	10	1032	5/8	POLYCARBONATE



Transparent