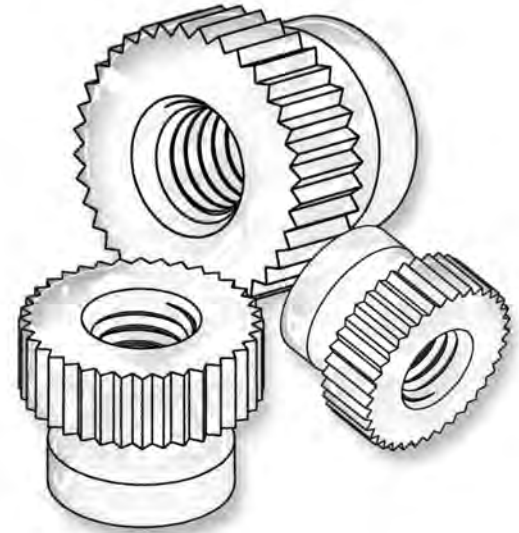
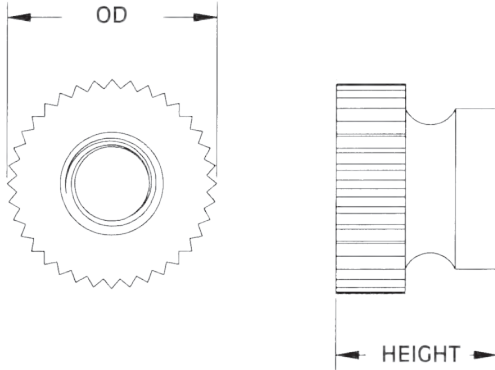


# UNIVERSAL NUTS

SECTION



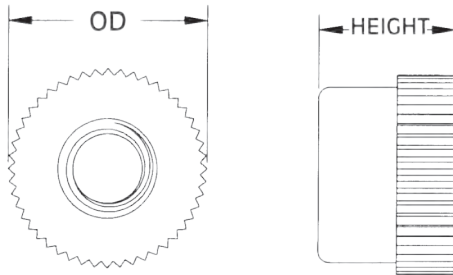
STOCKED IN NYLON 6/6 UL 94V2 - CAN BE FURNISHED IN ACETAL



## KNURLED THUMB NUTS

Molded in Natural Nylon 6/6

ITEM NUMBER	SCREW SIZE	THREAD	OD	HEIGHT
0800440TN	4	440	.300 (7,62)	.280 (7,11)
0800632TN	6	632	.360 (9,14)	.275 (6,99)
0800832TN	8	832	.425 (10,80)	.305 (7,75)
0801024TN	10	1024	.425 (10,80)	.325 (8,26)
0801032TN	10	1032	.425 (10,80)	.325 (8,26)
0825020TN	1/4	1/4-20	.540 (13,72)	.365 (9,27)
0831218TN	5/16	5/16-18	.612 (15,54)	.400 (10,16)
0831224TN	5/16	5/16-24	.612 (15,54)	.400 (10,16)



**METRIC Sizes  
Also Available**

Page 274

## KNURLED THUMB NUTS "A"

Molded in Natural Nylon 6/6

ITEM NUMBER	SCREW SIZE	THREAD	OD	HEIGHT
0800440TNA	4	440	.300 (7,62)	.280 (7,11)
0800632TNA	6	632	.360 (9,14)	.275 (6,99)
0800832TNA	8	832	.425 (10,80)	.305 (7,75)
0801024TNA	10	1024	.425 (10,80)	.325 (8,26)
0801032TNA	10	1032	.425 (10,80)	.325 (8,26)
0825020TNA	1/4	1/4-20	.540 (13,72)	.365 (9,27)
0831218TNA	5/16	5/16-18	.615 (15,62)	.385 (9,78)
0837516TNA	3/8	3/8-16	.687 (17,45)	.430 (10,92)
0850013TNA	1/2	1/2-13	.750 (19,05)	.468 (11,89)

