

PANEL FASTENERS AND HOLE PLUGS

SECTION
VI



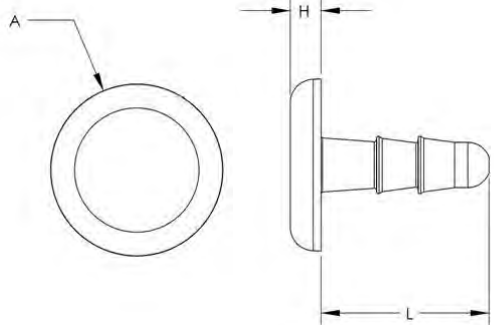
- architectural drawings
- paper, scrap booking
- swatch book fabric
- acrylic displays
- leather

POST AND PIN

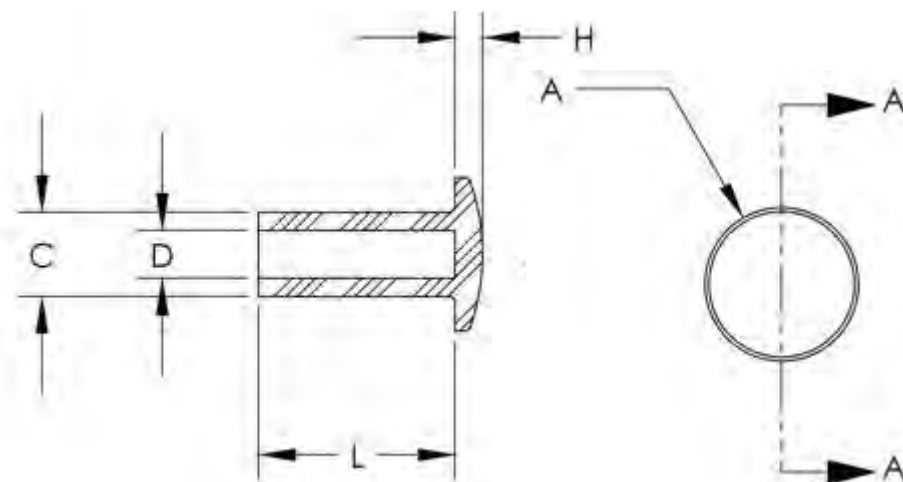
PIN Molded in WHITE Polycarbonate -POSTS Molded in WHITE Polyethylene

The pin is molded in white Polycarbonate material and the different length posts are molded in white polyethylene. The combination fasteners are intended for a one time assembly. The posts and pins are sold separately. These posts and pin fasteners provide a cost effective way for binding applications such as displays, swatch book fabrics, leather and scrap booking. One size pin fits all lengths of posts. Posts are available in 1/2, 5/8, 3/4, 1 and 1 1/4 lengths. Additional lengths available between 1/2 and 1 1/4 long in reasonable quantities.

PIN



NON THREADED POSTS



POSTS

ITEM NUMBER	A HEAD DIAMETER	C BODY DIAMETER	D ID	H HEAD HEIGHT	L BODY LENGTH
27POSTNT0500	.390 (9,91)	.214 (5,44)	.122 (3,10)	.070 (1,78)	.500 (12,70)
27POSTNT0625	.390 (9,91)	.214 (5,44)	.122 (3,10)	.070 (1,78)	.625 (15,88)
27POSTNT0750	.390 (9,91)	.214 (5,44)	.122 (3,10)	.070 (1,78)	.750 (19,05)
27POSTNT1000	.390 (9,91)	.214 (5,44)	.122 (3,10)	.070 (1,78)	1.000 (25,40)
27POSTNT1250	.390 (9,91)	.214 (5,44)	.122 (3,10)	.070 (1,78)	1.250 (31,75)

PIN

ITEM NUMBER	A HEAD DIAMETER	H HEAD HEIGHT	L LENGTH
27PP001	.437 (11,10)	.078 (1,98)	.425 (10,80)