

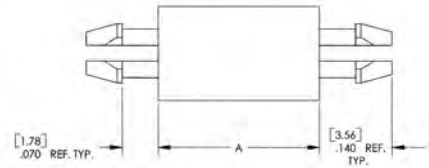
METRIC CIRCUIT BOARD HARDWARE

SECTION
XVIII

ALL DIMENSIONS ARE IN MILLIMETERS

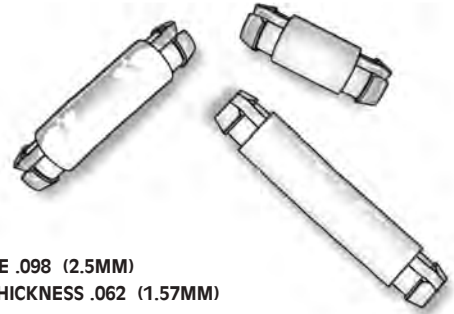
MINIATURE SUPPORT POSTS

Molded in **Natural Nylon 6/6**



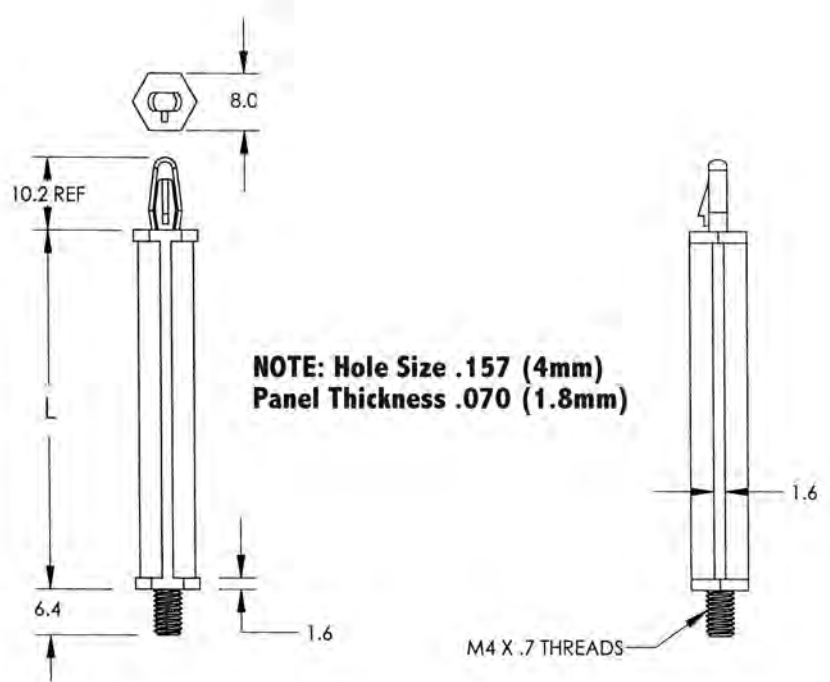
ITEM NUMBER	A
27MMP002	2 MM
27MMP003	3 MM
27MMP003A	3.5 MM
27MMP004	4 MM
27MMP005	5 MM
27MMP006	6 MM
27MMP008	8 MM
27MMP010	10 MM
27MMP012	12 MM
27MMP014	14 MM
27MMP016	16 MM
27MMP018	18 MM
27MMP020	20 MM
27MMP022	22 MM

Economical locking spacers eliminate screws, nuts, and lock washers in mounting P.C. Boards on metal chassis or stacking in multiple tiers. Unique locking clips provide a mechanically secure, reusable connection in predrilled or punched holes while saving considerable assembly time. The new metric supports are designed for 2.5mm diameter holes and 1.57 mm thick panels. Lengths from 2mm to 22mm available.



NOTE: HOLE SIZE .098 (2.5MM)
PANEL THICKNESS .062 (1.57MM)

New
Product
Line



NOTE: Hole Size .157 (4mm)
Panel Thickness .070 (1.8mm)

MALE PCB SUPPORT POSTS

Molded in **Natural Nylon 6/6**

ITEM NUMBER	DESCRIPTION	L
27MLMTP45	MLMTP 45	45 MM
27MLMTP50	MLMTP 50	50 MM