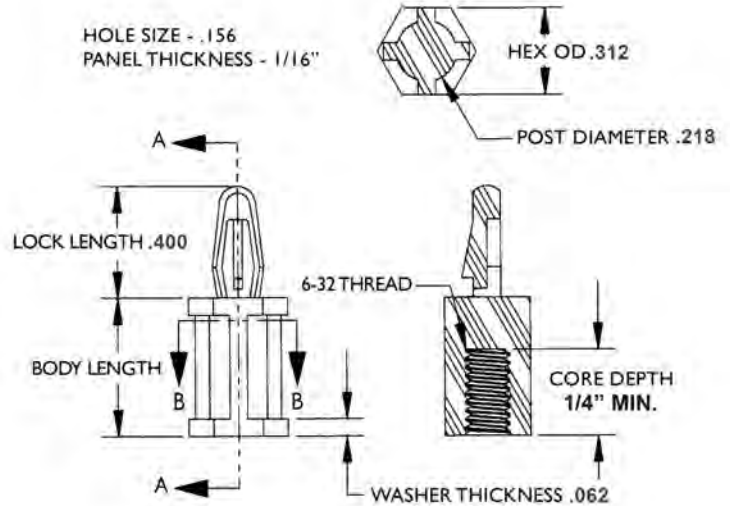


CIRCUIT BOARD HARDWARE

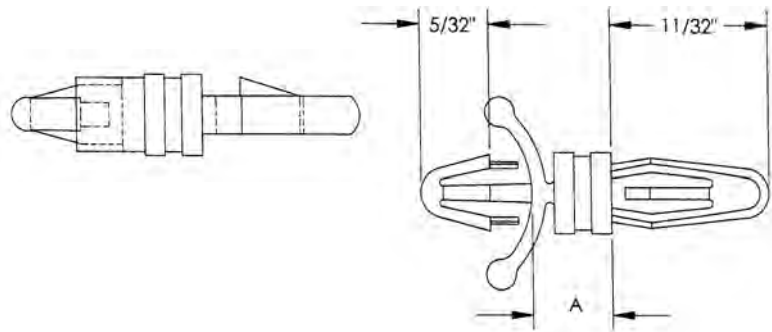
SECTION VIII

FEMALE CIRCUIT BOARD POSTS

Molded in **Natural Nylon 6/6**



ITEM NUMBER	DESCRIPTION	BODY LENGTH
27FTP00375A	FTA-A 375	.375 (9,53)
27FTP00500A	FTA-A 500	.500 (12,70)
27FTP00625A	FTA-A 625	.625 (15,88)
27FTP00750A	FTA-A 750	.750 (19,05)
27FTP00875A	FTA-A 875	.875 (22,23)
27FTP01000A	FTA-A 1000	1.000 (25,40)
27FTP01125A	FTA-A 1125	1.125 (28,58)
27FTP01250A	FTA-A 1250	1.250 (31,75)
27FTP01406A	FTA-A 1406	1.406 (35,71)



BOTH ENDS
HOLE DIAMETER .125
PANEL THICKNESS 1/16"



P.C.B. SUPPORTS

Molded in **Natural Nylon 6/6**

ITEM NUMBER	DESCRIPTION	A
27MLLP0187	MLLP 187	.187 (4,75)
27MLLP0250	MLLP 250	.250 (6,35)
27MLLP0375	MLLP 375	.375 (9,53)
27MLLP0437	MLLP 437	.437 (11,10)
27MLLP0500	MLLP 500	.500 (12,70)
27MLLP0562	MLLP 562	.562 (14,27)
27MLLP0625	MLLP 625	.625 (15,88)