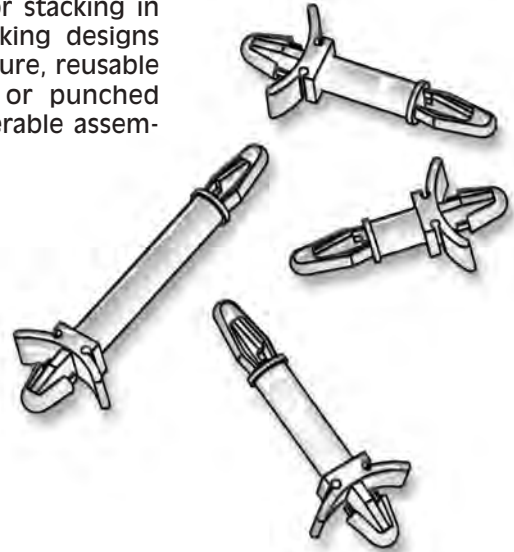
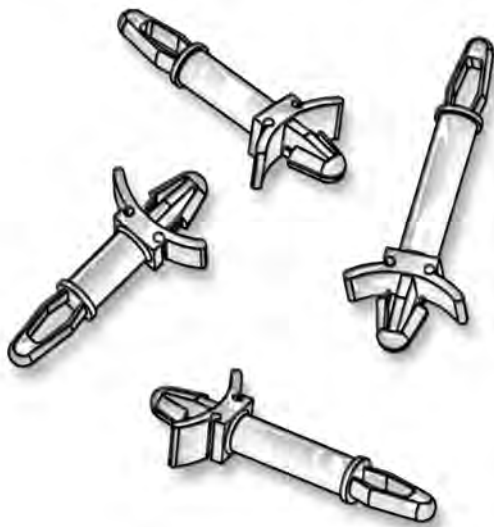


Micro Plastics' Circuit Board Supports eliminate screws, nuts, and lockwashers in mounting printed circuit boards on metal chassis or stacking in multiple tiers. Unique locking designs provide a mechanically secure, reusable connection in predrilled or punched holes while saving considerable assembly time and expense.



"LOCK/TENSION" SERIES P.C.B. SUPPORTS

Molded in **Natural Nylon 6/6**

THE "LTP" SERIES IS DESIGNED TO SECURELY LOCK TO THE BOTTOM CHASSIS AND SNAP INTO TOP BOARD.

ITEM NUMBER	DESCRIPTION	B
27LTP0187	3/16" LOCK/TENSION	.307 (7,80)
27LTP0250	1/4" LOCK/TENSION	.365 (9,27)
27LTP0375	3/8" LOCK/TENSION	.479 (12,16)
27LTP0437	7/16" LOCK/TENSION	.557 (14,15)
27LTP0500	1/2" LOCK/TENSION	.625 (15,88)
27LTP0625	5/8" LOCK/TENSION	.745 (18,92)
27LTP0750	3/4" LOCK/TENSION	.870 (22,10)
27LTP0875	7/8" LOCK/TENSION	.995 (25,27)
27LTP1000	1" LOCK/TENSION	1.120 (28,45)
27LTP1125	1 1/8" LOCK/TENSION	1.245 (31,62)
27LTP1250	1 1/4" LOCK/TENSION	1.370 (34,80)
27LTP1375	1 3/8" LOCK/TENSION	1.495 (37,97)
27LTP1750	1 3/4" LOCK/TENSION	1.810 (45,97)

"LOCK/LOCK" SERIES P.C.B. SUPPORTS

Molded in **Natural Nylon 6/6**

THE "LLP" SERIES IS DESIGNED TO SECURELY LOCK BOTH THE CHASSIS END AND THE PRINTED CIRCUIT BOARD ON TOP.

ITEM NUMBER	DESCRIPTION	B
27LLP0125	1/8" LOCK/LOCK	.210 (5,33)
27LLP0187	3/16" LOCK/LOCK	.307 (7,80)
27LLP0250	1/4" LOCK/LOCK	.365 (9,27)
27LLP0375	3/8" LOCK/LOCK	.495 (12,57)
27LLP0437	7/16" LOCK/LOCK	.557 (14,15)
27LLP0500	1/2" LOCK/LOCK	.625 (15,88)
27LLP0625	5/8" LOCK/LOCK	.745 (18,92)
27LLP0750	3/4" LOCK/LOCK	.870 (22,10)
27LLP0875	7/8" LOCK/LOCK	.995 (25,27)
27LLP1000	1" LOCK/LOCK	1.120 (28,45)
27LLP1125	1 1/8" LOCK/LOCK	1.245 (31,62)
27LLP1250	1 1/4" LOCK/LOCK	1.370 (34,80)
27LLP1375	1 3/8" LOCK/LOCK	1.495 (37,97)
27LLP1750	1 3/4" LOCK/LOCK	1.810 (45,97)