

# METRIC WASHERS AND SCREW INSULATORS

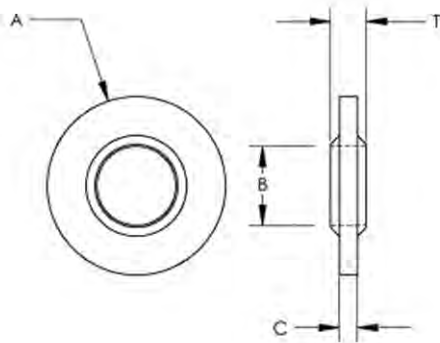
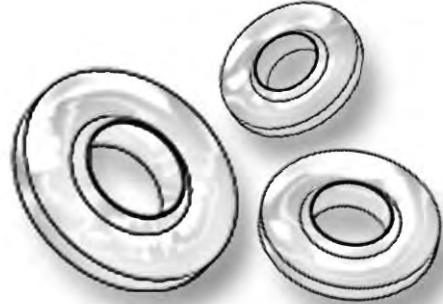
SECTION  
**XIV**

ALL DIMENSIONS ARE IN MILLIMETERS

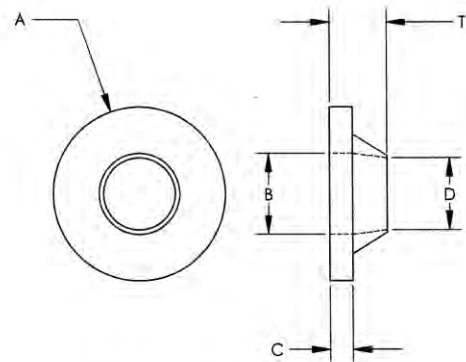
## LOCKING AND SEALING WASHERS

Molded in **Natural Nylon 6/6**

Micro Plastics locking and sealing washers are made of natural nylon 6/6. This washer's unique geometry creates an interference both on the OD of a hex nut, and on the ID on the shanks or thread of the screw. As the screw is tightened, the OD cold flows around the hex of a nut, and the ID cold flows into the threads of the bolt or screw.



**PART DESIGN A**



**PART DESIGN B**

ITEM NUMBER	SCREW SIZE		DESIGN TYPE	ID B	SHANK ID D	OD A	WASHER THICKNESS C	THICKNESS T
	METRIC	INCH						
16MLSW030070070	M3	#5	A	3.10 MM		7.00 MM	0.70 MM	1.40 MM
16MLSW040090125	M4	#8	A	4.15 MM		9.00 MM	1.25 MM	1.25 MM
16MLSW050104140	M5	#10	A	5.15 MM		10.40 MM	1.40 MM	3.50 MM
16MLSW060120160	M6		A	6.10 MM		12.00 MM	1.60 MM	4.00 MM
16MLSW080158210	M8	5/16	A	8.10 MM		15.80 MM	2.10 MM	4.60 MM
16MLSW100196210	M10	3/8	A	10.00 MM		19.60 MM	2.10 MM	5.30 MM
16MLSW140252250	M14	9/16	A	14.00 MM		25.20 MM	2.50 MM	5.50 MM
16MLSW042090120	M4.2		B	4.20 MM	4.20 MM	9.00 MM	1.20 MM	3.00 MM
16MLSW048100150	M4.8		B	4.80 MM	4.80 MM	10.00 MM	1.50 MM	3.20 MM
16MLSW060125150	M6		B	6.30 MM	6.30 MM	12.50 MM	1.50 MM	2.80 MM
16MLSW080160160	M8		B	8.20 MM	8.20 MM	16.00 MM	1.60 MM	3.10 MM
* 16MLSW103150200		R 1/8	B	10.30 MM	9.45 MM	15.00 MM	2.00 MM	4.00 MM
* 16MLSW132190250		R 1/4	B	13.20 MM	12.20 MM	19.00 MM	2.50 MM	4.50 MM

\* WHITWORTH TAPERED PIPE THREAD