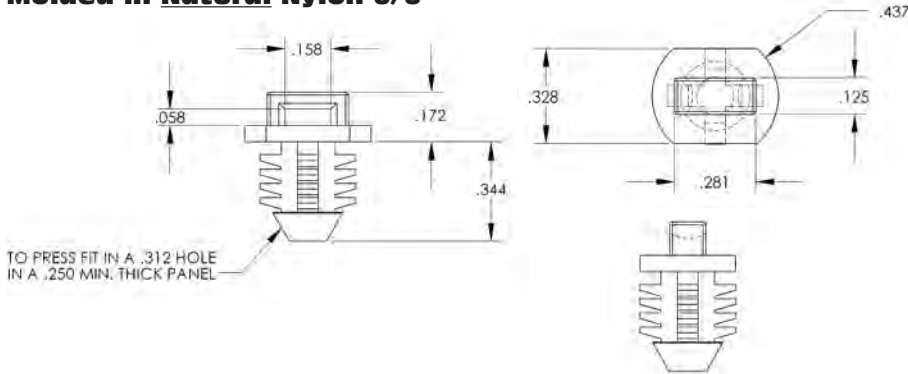


PUSH TIE MOUNT

Molded in **Natural Nylon 6/6**

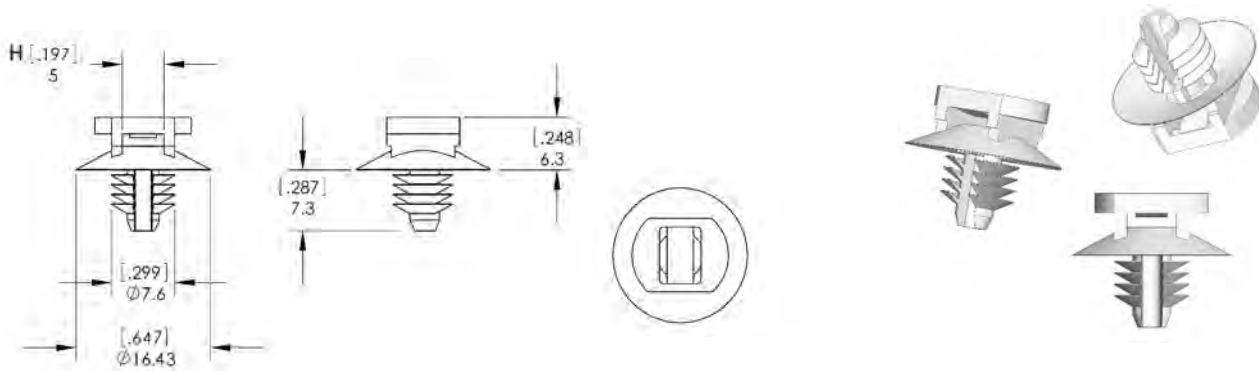


ITEM NUMBER	HOLE SIZE	MINIMUM PANEL THICKNESS
23TAPM312344	.312 (7,92)	.250 (6,35)

PUSH TIE MOUNT

Molded in **Natural Nylon 6/6**

- MATERIAL: U.L APPROVED NYLON 66, 94V-2
- DRILL .244" (6.2MM) hole on board to fix tie mount and then insert tie into the mount for bundling cables.



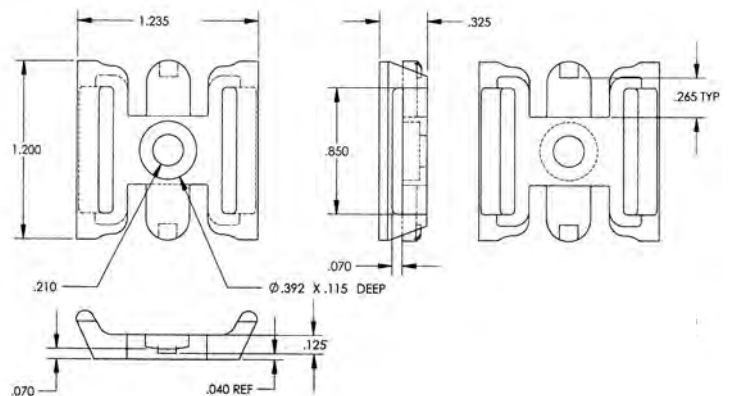
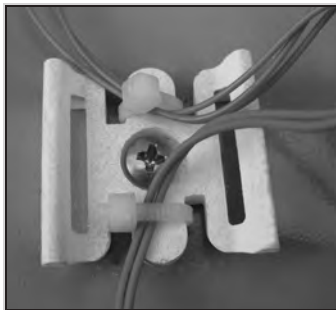
PARTS ARE PACKAGED 100 PIECES PER BAG • PURCHASE IN PACKAGED QUANTITIES ONLY

ITEM NUMBER	H	FITTING	PACKAGING
NM23PM25	.197" 5mm	.299" 7.6mm	100 pcs

COMBO CRADLE MOUNTS

Molded in **Natural Nylon 6/6**

The combination cradle mount can be secured with a screw or rivet. Part can be used with standard wire ties or hook and loop wire ties.



ITEM NUMBER	DESCRIPTION
23TAHL110340	COMBO CRADLE MOUNT (SCREW OR RIVET MOUNT)