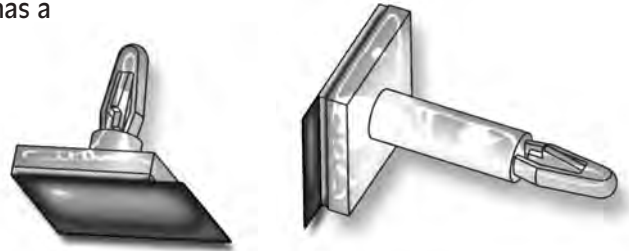
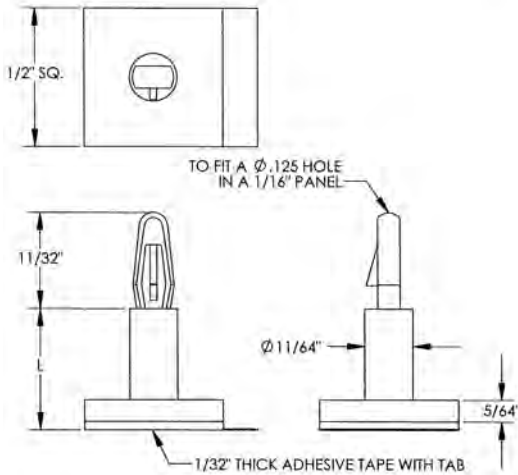


MINI LOCKING P.C.B. SUPPORT

Molded in **Natural Nylon 6/6**

Micro Plastics' adhesive based mini locking printed circuit board supports are molded in natural colored Nylon 6/6 material. Ideal for smaller sized circuit boards. Double adhesive foam tape has a release tab for easy removal of backing.

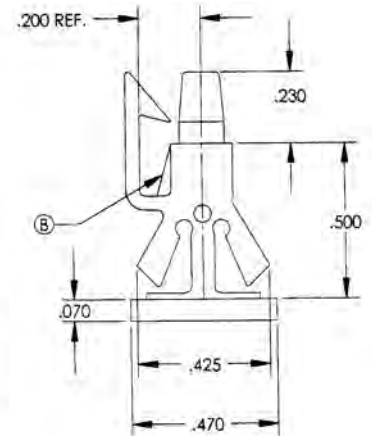


ITEM NUMBER	DESCRIPTION	"L"
27MLAD0187TAB	MLAD 187	3/16" (4,76)
27MLAD0250TAB	MLAD 250	1/4" (6,35)
27MLAD0312TAB	MLAD 312	5/16" (7,93)
27MLAD0375TAB	MLAD 375	3/8" (9,52)
27MLAD0437TAB	MLAD 437	7/16" (11,11)
27MLAD0500TAB	MLAD 500	1/2" (12,70)
27MLAD0562TAB	MLAD 562	9/16" (14,28)
27MLAD0625TAB	MLAD 625	5/8" (15,87)



Heavy duty nylon 6/6 support snaps into P.C. board from bottom. Locking arm clips to the side of the P.C. board making for easy removal and replacement of P.C. boards. Support does not rotate in chassis or positioning holes. Board clearance may vary depending on chassis thickness. Parts are molded in black nylon.

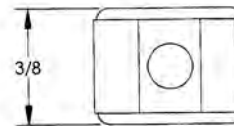
When ordering parts in natural nylon, use "N" as a suffix.



HEAVY DUTY P.C.B. SUPPORT

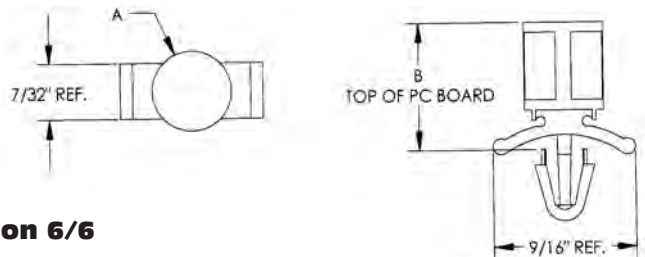
Molded in **Black Nylon 6/6**

ITEM NUMBER	BOARD CLEARANCE	HOLE DIA.	HOLE SIZE
27HDEC00500	.430 (10,92) -.460 (11,68)	.157 (3,99)	.312 (7,92) X .375 (9,53)



PUSH SPACERS

Molded in **Natural Nylon 6/6**



ITEM NUMBER	A	B	PANEL THICKNESS	HOLE SIZE
27PS00250	9/32 (7,14)	5/16 (7,93)	.062 (1,57)	.187 (4,75)
27PS00500	5/16 (7,93)	1/2 (12,70)	.093 (2,29)	.187 (4,75)
27PS00500A	5/16 (7,93)	1/2 (12,70)	.062 (1,57)	.187 (4,75)
27PS00625	9/32 (7,14)	11/16 (17,46)	.062 (1,57)	.187 (4,75)