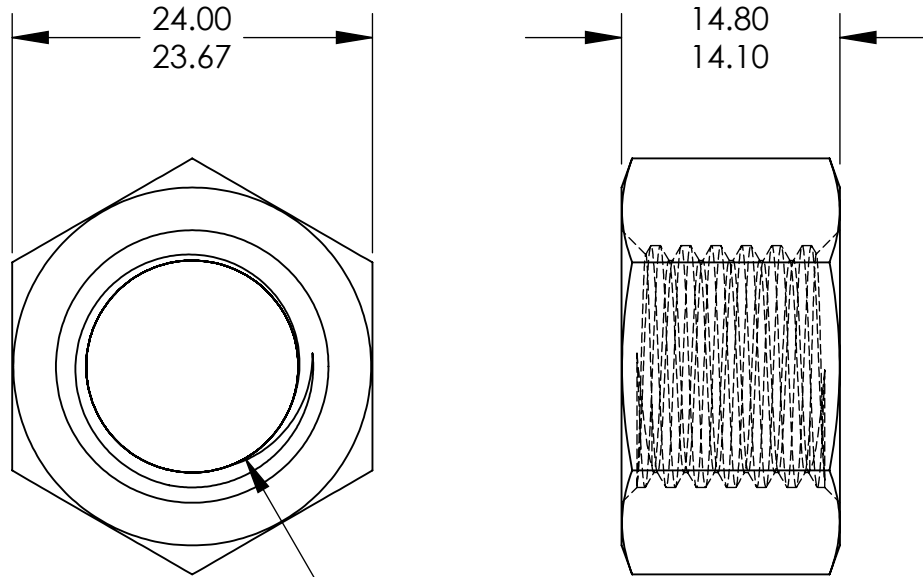


UNCONTROLLED DOCUMENT



M16 X 2.0MM THREADS

NOTES:
PART MEETS DIN 34814 SPECIFICATIONS

ALL DIMENSIONS ARE IN MILLIMETERS
TOLERANCES UNLESS NOTED

- ±.13MM ON DIMENSIONS THRU 15.88MM
- ±.20MM ON DIMENSIONS 15.89MM THRU 25.41MM
- ±.25MM ON DIMENSIONS 25.42MM THRU 38.10MM
- ±.38MM ON DIMENSIONS LARGER THAN 38.10MM

WE RESERVE THE RIGHT
TO DISCONTINUE ITEMS,
CHANGE SPECIFICATIONS
OR DESIGN AT ANY TIME
WITHOUT NOTICE AND
WITHOUT INCURRING
ANY OBLIGATIONS

PROPERTY OF		
MICRO PLASTICS INC.		
CATALOG DRAWING HEX NUT DIN 34814 MICRO P/N 04M160200HNDIN34814 DWG. # 04M160200HNDIN34814 FILE SERVER\ENG\WEB		
MATERIAL:		OPEN
DATE	SCALE 2:1	TA