

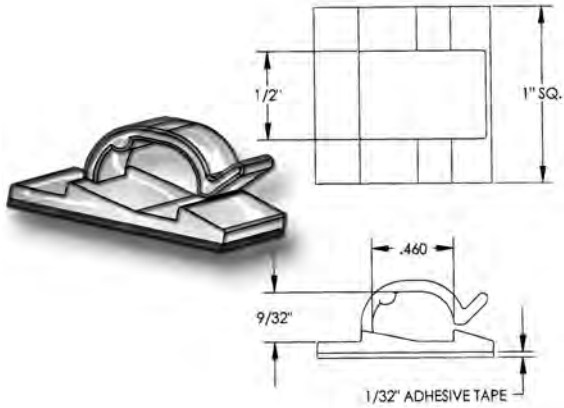
WIRE HANDLING HARDWARE

RELEASABLE ADHESIVE BACKED WIRE CLIPS

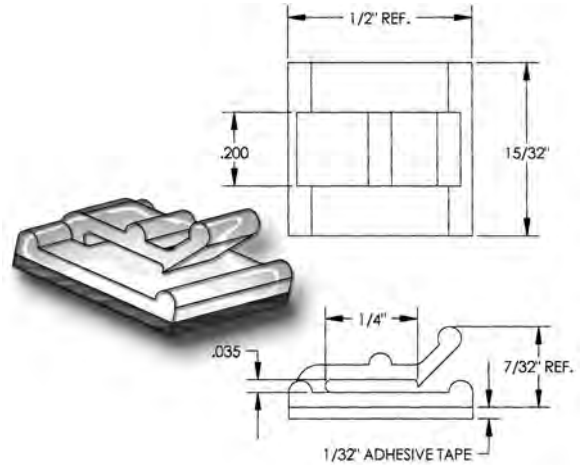
Molded in **Natural Nylon 6/6** - Backed with **Polyethylene Foam Tape**

NOTE: RELEASABLE TAB AVAILABLE UPON REQUEST

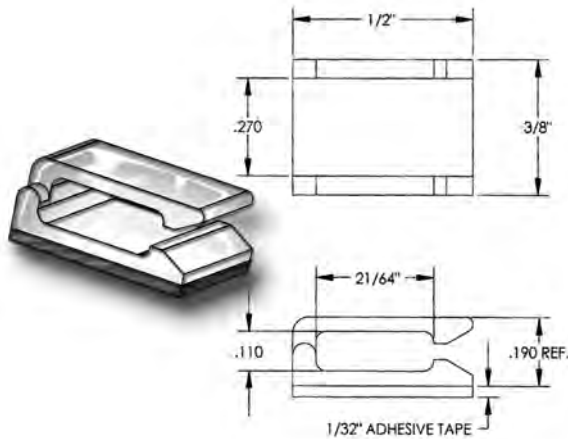
SECTION
VII



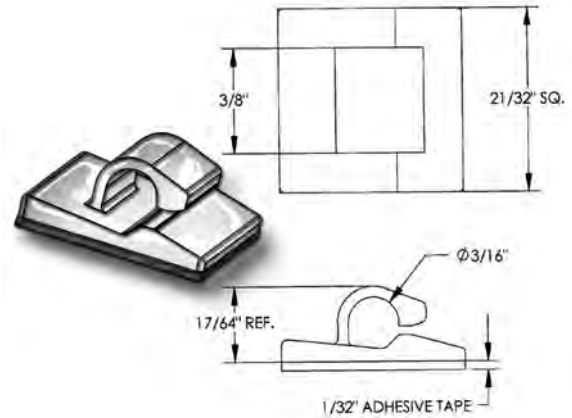
PART NUMBER 22AWC00281



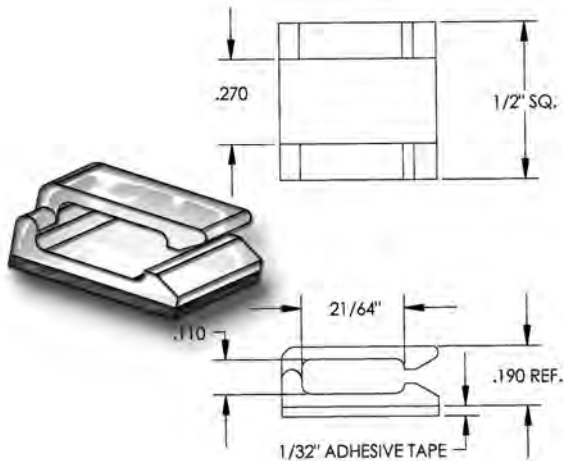
PART NUMBER 22AWCF250047



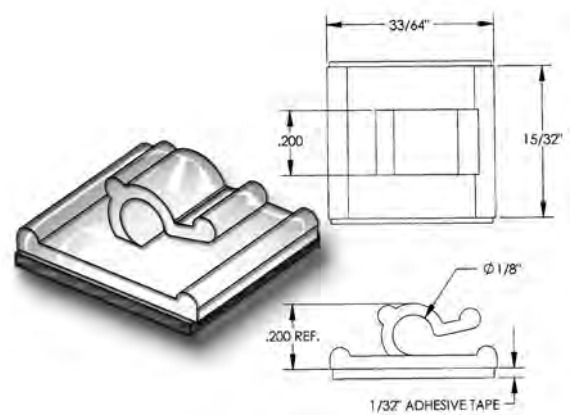
PART NUMBER 22AWCF328110



PART NUMBER 22AWC00187



PART NUMBER 22AWCF328110A



PART NUMBER 22AWC00125