

WIRE HANDLING HARDWARE

SECTION VII

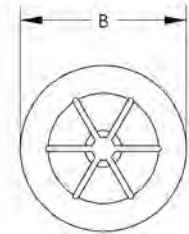
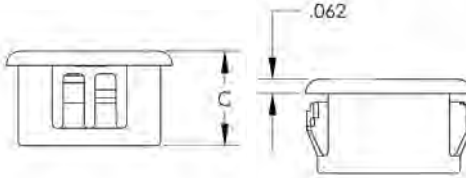


Micro Plastics' Nylon "ALL-FIT" Adjustable Bushings are designed to protect wire, cable, tubing or irregular shaped items from sharp, unfinished edges. The specially designed, resilient multiple supports, absorb shock and vibration, and adjust to accept various diameters and shapes. The All-Fit Bushing is equipped with multiple locks to positively snap in panel thicknesses ranging from 1/32" to 1/8".

ALL-FIT ADJUSTABLE BUSHINGS

Molded in **Black H.S. Nylon UL 94V2**

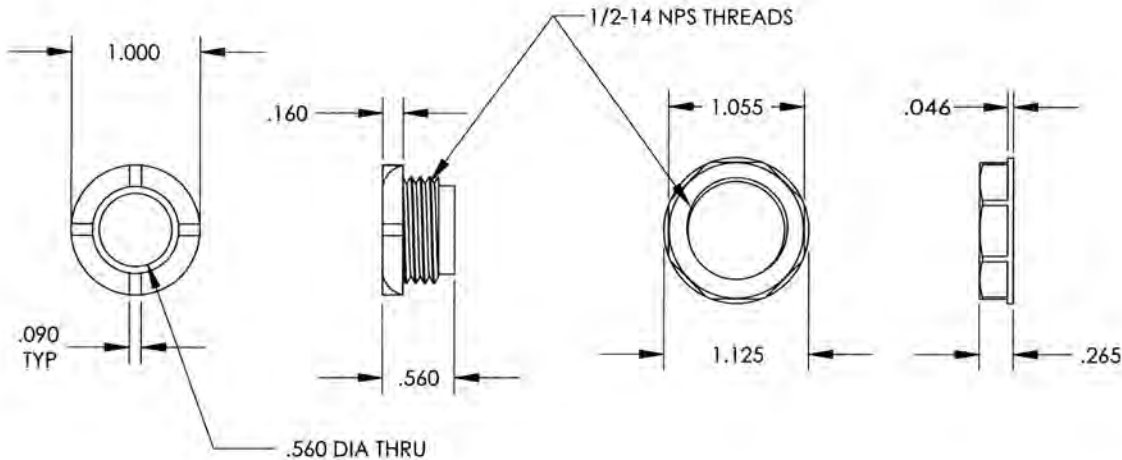
- * MATERIAL HEAT STABILIZED NYLON UL 94V2
- * TEMPERATURE INDEX 105 ° C
- * STOCKED IN STANDARD BLACK
- * WHITE AVAILABLE ON REQUEST



-----CHASSIS DIMENSIONS PART DIMENSIONS-----

ITEM NUMBER	HOLE DIA.	MAXIMUM THICKNESS	HEAD DIA. B	THICKNESS C	MAXIMUM I.D.
22AF0625	.625 (15,9)	.125 (3,2)	.718 (18,2)	.406 (10,3)	.437 (11,1)
22AF0750	.750 (19,0)	.125 (3,2)	.859 (21,8)	.390 (9,9)	.500 (12,7)
22AF0812	.812 (20,6)	.125 (3,2)	.890 (22,6)	.390 (9,9)	.500 (12,7)
22AF0875	.875 (22,2)	.125 (3,2)	.937 (23,8)	.453 (11,5)	.562 (14,2)
22AF1000	1.000 (25,4)	.125 (3,2)	1.062 (26,9)	.453 (11,5)	.750 (19,0)
22AF1093	1.093 (27,8)	.125 (3,2)	1.156 (29,3)	.453 (11,5)	.812 (20,6)
22AF1250	1.250 (31,75)	.125 (3,1)	1.360 (34,5)	.453 (11,5)	.875 (22,2)

MINIMUM ORDER QUANTITY 1,000 PIECES



Micro Plastics' two piece Nylon threaded bushings are designed to protect wiring, cables, or hoses from sharp or raw edges in a panel. Two piece Nylon threaded bushings are molded of black Nylon 6/6.

2 PC. THREADED BUSHING

Molded in **Black Nylon 6/6**

ITEM NUMBER	THICKNESS	-----NUT DIMENSIONS-----	
		WRENCHING FLATS	THREAD
04MP0500TB	17/64" (6,75)	1.055" (26,79)	1/2-14 NPS

