

# WIRE HANDLING HARDWARE

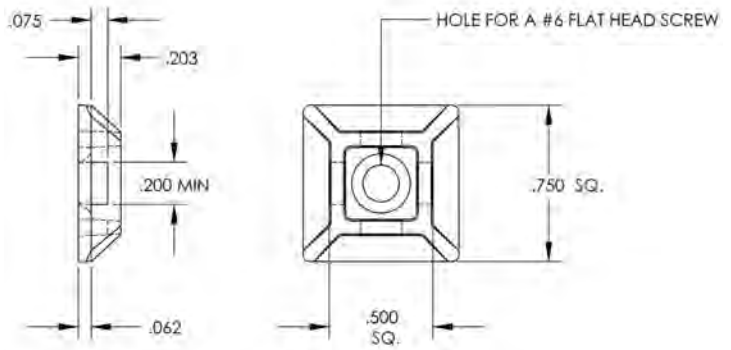
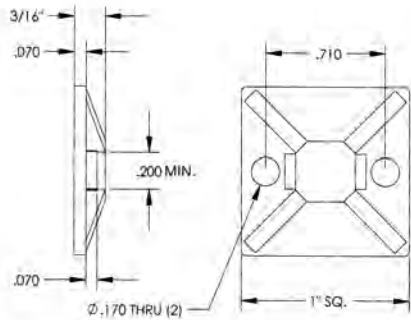
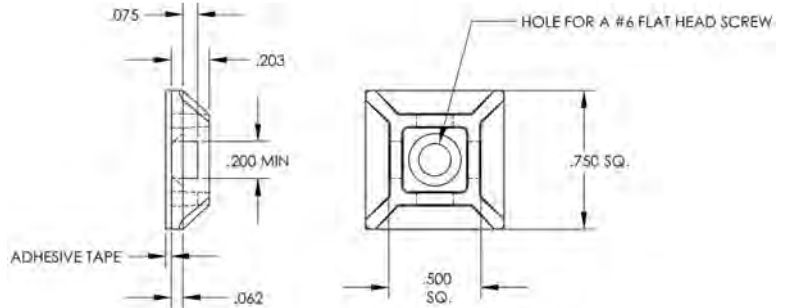
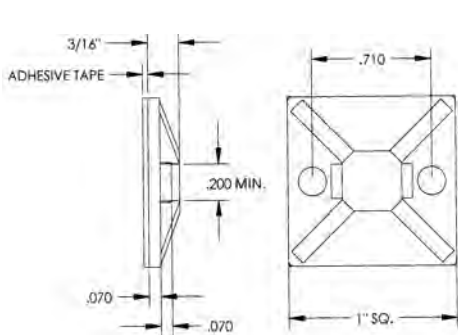
## SECTION VII

### CRADLE MOUNTS

Molded in **Natural Nylon 6/6**



Cradle Mounts are used in applications where a low profile is necessary. Each mount offers a four way entry and is secured with either a screw or adhesive backing. 23TA00420 is secured with a #2 - #4 or #6 screw, 23TA00495 uses #6 Flat Head Screw.



ITEM NUMBER	DESCRIPTION
23TA00400	1" (25,40) CRADLE MOUNT (ADHESIVE)
23TA00420	1" (25,40) CRADLE MOUNT (SCREW)

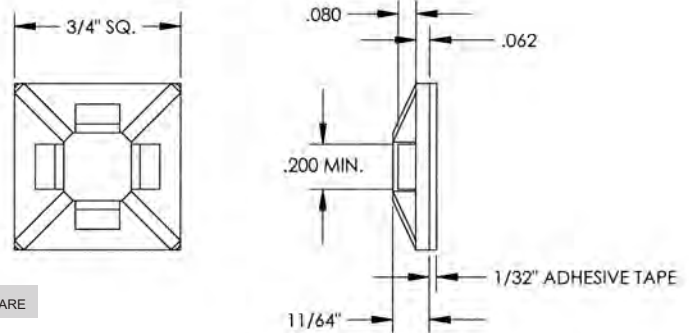
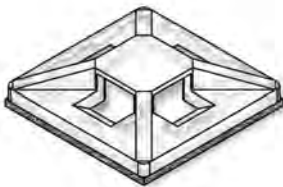
ITEM NUMBER	DESCRIPTION
23TA00475	3/4" (19,05) CRADLE MOUNT (ADHESIVE)
23TA00495	3/4" (19,05) CRADLE MOUNT (SCREW)

**NOTE:** the adhesive mounts have an acrylic foam backing that should be used on a smooth, clean, dry surface.

### CRADLE MOUNT CLOSED SQUARE

Molded in **Natural Nylon 6/6**

This Cradle Mount is used in applications where a low profile is necessary. Each mount offers a four way entry and is secured using an acrylic foam backing that should be used on a smooth, clean, dry surface.



ITEM NUMBER	DESCRIPTION
23TA00500	3/4" (19,05) CRADLE MOUNT (ADHESIVE) CLOSED SQUARE