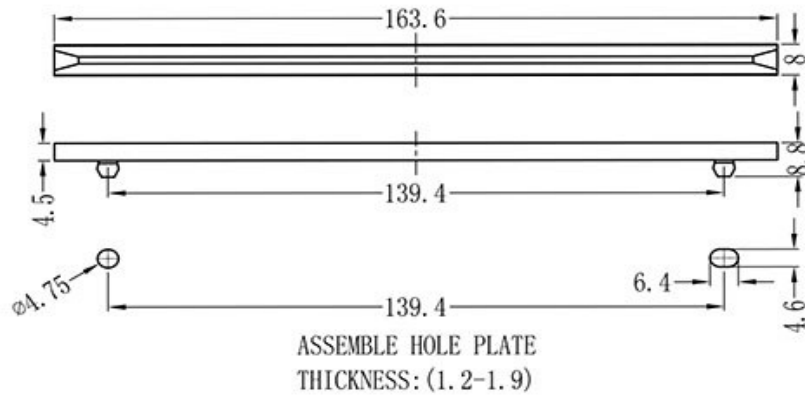


PCB Card Guide - Nylon 66 - NATURAL



Part No.	Length (mm)	Peg Spacing (mm)	Panel Thickness (mm)	Mounting Holes (mm)
10186	163.6	139.4	1.2 - 1.9	4.75