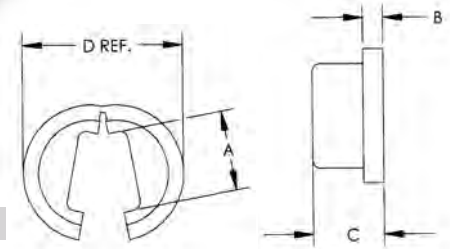
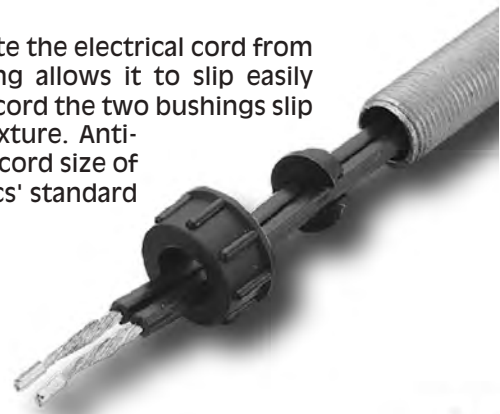


WIRE HANDLING HARDWARE

SECTION
VII

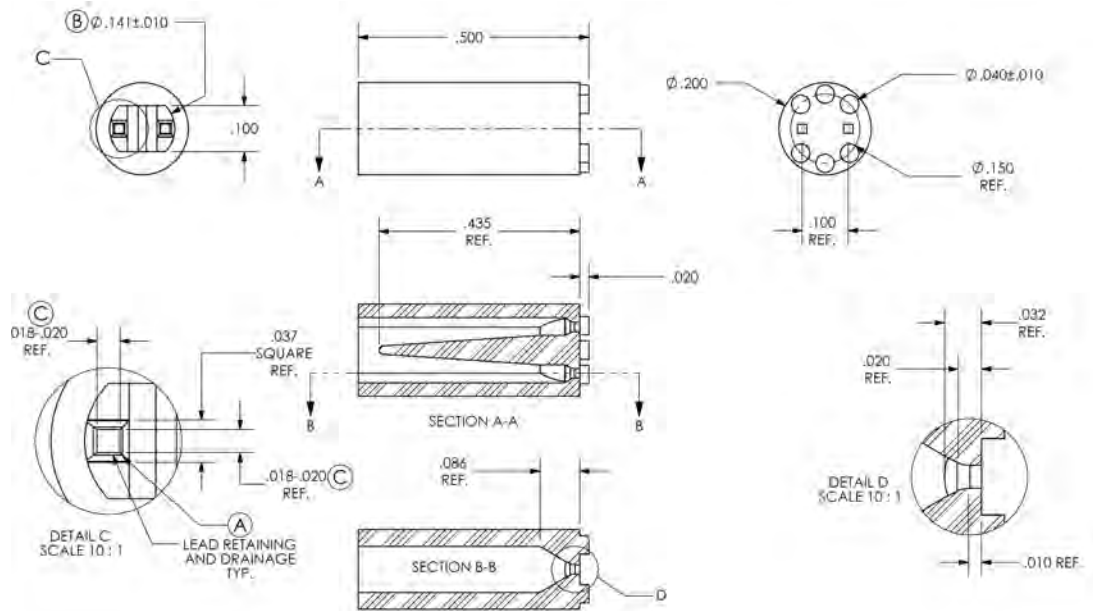
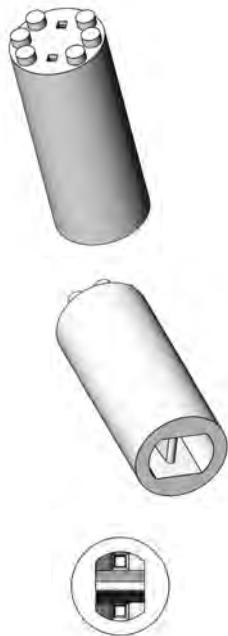
Micro Plastics' exclusive anti-twist design was developed to eliminate the electrical cord from twisting inside the lamp. Anti-Twist Bushings' convenient opening allows it to slip easily around the cord. When the Lampcord Bushing is threaded over the cord the two bushings slip together allowing for easy installation onto any standard lamp fixture. Anti-Twist Bushing fits a 1/8" pipe thread and accommodates a standard cord size of SPT-1, 18,2. The bushing was designed to be used with Micro Plastics' standard 1/8" Lamp Cord Bushing. Other sizes will be tooled upon request.



ANTI-TWIST BUSHING

Molded in **Black Nylon 6/6**

ITEM NUMBER	DESCRIPTION	A	B	C	D Ref.
04MP0125ATB	1/8" ANTI-TWIST	.195 (4,95)	.050 (1,27)	.175 (4,44)	.390 (9,91)
04MP0250ATB	1/4" ANTI-TWIST	.195 (4,95)	.050 (1,27)	.175 (4,44)	.500 (12,70)



SELF RETAINING LED MOUNTS

Molded in **Natural Nylon 6/6**

ITEM NUMBER	LENGTH
27LEDSRM500	.500 (12,7)
27LEDSRM520	.520 (13,2)
27LEDSRM550	.550 (13,9)
27LEDSRM570	.570 (14,4)
27LEDSRM600	.600 (15,2)
27LEDSRM620	.620 (15,7)

ITEM NUMBER	LENGTH
27LEDSRM650	.650 (16,5)
27LEDSRM700	.700 (17,7)
27LEDSRM750	.750 (19,0)
27LEDSRM800	.800 (20,3)
27LEDSRM850	.850 (21,5)
27LEDSRM900	.900 (22,8)
27LEDSRM925	.925 (23,4)