

UNIVERSAL NUTS

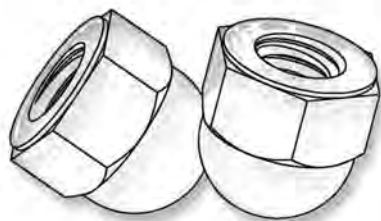
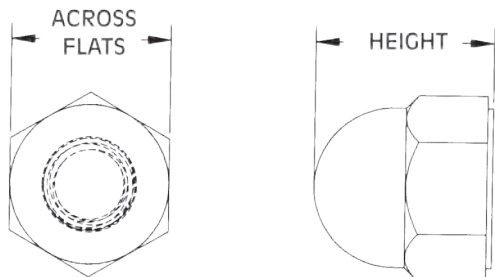
STOCKED IN NYLON 6/6 UL 94V2 - CAN BE FURNISHED IN ACETAL

SECTION



**-METRIC Sizes
Also Available**

Page 273



Similar to our standard cap nut, except with a molded-in locking thread.

Use for applications which require higher torque, vibration resistance or a more secure assembly.

CAP NUTS

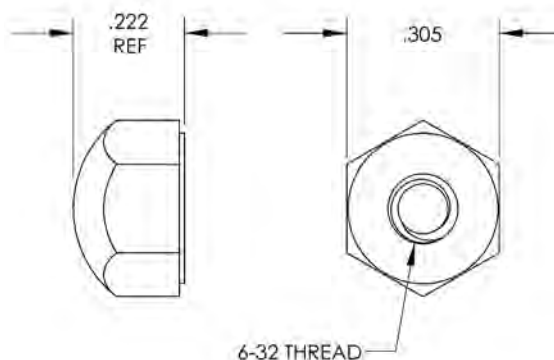
Molded in Natural Nylon 6/6

ITEM NUMBER	SCREW SIZE	THREAD	ACROSS FLATS	HEIGHT * REF.
0500440CN	4	440	.250 (6,35)	.280 (7,11)
0500632CN	6	632	.305 (7,75)	.345 (8,76)
0500832CN	8	832	.330 (8,38)	.375 (9,53)
0501024CN	10	1024	.365 (9,27)	.400 (10,16)
0501032CN	10	1032	.365 (9,27)	.400 (10,16)
0525018CN	1/4	1/4-18	.750 (19,05)	.810 (20,57)
0525020CN	1/4	1/4-20	.425 (10,80)	.475 (12,07)
0525028CN	1/4	1/4-28	.425 (10,80)	.475 (12,07)
0531218CN	5/16	5/16-18	.500 (12,70)	.530 (13,46)
0531224CN	5/16	5/16-24	.500 (12,70)	.530 (13,46)
0537516CN	3/8	3/8-16	.565 (14,35)	.620 (15,74)
0537524CN	3/8	3/8-24	.565 (14,35)	.620 (15,74)
0537532CN	3/8	3/8-32	.565 (14,35)	.620 (15,74)
0543714CN	7/16	7/16-14	.750 (19,05)	.810 (20,57)
0550013CN	1/2	1/2-13	.750 (19,05)	.810 (20,57)
0550020CN	1/2	1/2-20	.750 (19,05)	.810 (20,57)
0562511CN	5/8	5/8-11	.935 (23,75)	.970 (24,64)

LOCKING CAP NUTS

Molded in Natural Nylon 6/6

ITEM NUMBER	SCREW SIZE	THREAD	ACROSS FLATS	HEIGHT * REF.
0500440LCN	4	440	.250 (6,35)	.280 (7,11)
0500632LCN	6	632	.305 (7,75)	.345 (8,76)
0500832LCN	8	832	.330 (8,38)	.375 (9,53)
0501024LCN	10	1024	.365 (9,27)	.400 (10,16)
0501032LCN	10	1032	.365 (9,27)	.400 (10,16)
0525020LCN	1/4	1/4-20	.425 (10,80)	.475 (12,07)
0531218LCN	5/16	5/16-18	.500 (12,70)	.530 (13,46)
0537516LCN	3/8	3/8-16	.565 (14,35)	.620 (15,74)



LOW PROFILE LOCKING CAP NUTS

Molded in Natural Nylon 6/6

ITEM NUMBER	SCREW SIZE	THREAD	ACROSS FLATS	HEIGHT * REF.
0500632CNSP	6	632	.305 (7,45)	.222 (5,64)