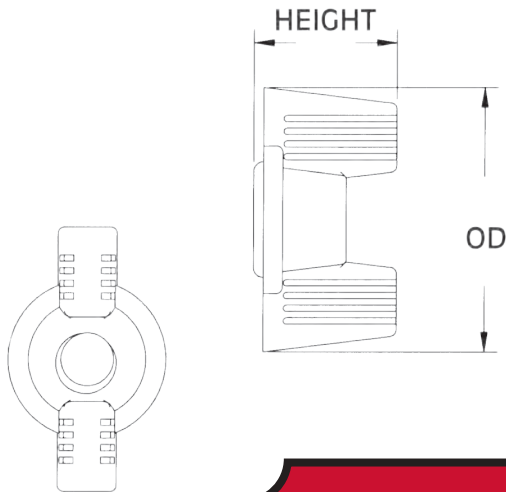


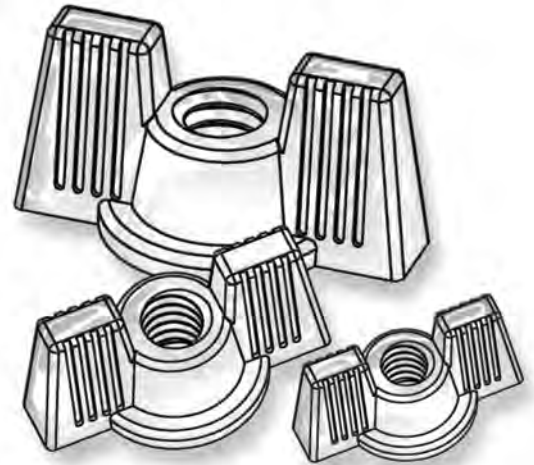
UNIVERSAL NUTS

STOCKED IN NYLON 6/6 UL 94V2 - CAN BE FURNISHED IN ACETAL

SECTION



**METRIC Sizes
Also Available**
Page 275



DECO WING NUTS

Molded in **Natural Nylon 6/6**

ITEM NUMBER	SCREW SIZE	THREAD	REF. OD	HEIGHT
0600440DECOWN	4	440	5/8" (15,88)	5/16" (7,94)
0600632DECOWN	6	632	5/8" (15,88)	5/16" (7,94)
0600832DECOWN	8	832	5/8" (15,88)	5/16" (7,94)
0601024DECOWN	10	1024	7/8" (22,23)	7/16" (11,10)
0601032DECOWN	10	1032	7/8" (22,23)	7/16" (11,10)
0625020DECOWN	1/4	1/4-20	1-11/64" (29,74)	17/32" (13,49)
0631218DECOWN *	5/16	5/16-18	1-9/16" (39,69)	29/64" (11,51)
0637516DECOWN *	3/8	3/8-16	1-9/16" (39,69)	29/64" (11,51)
0637524DECOWN *	3/8	3/8-24	1-9/16" (39,67)	29/64" (11,51)

*PART IS FLUSH ACROSS WINGS

LOCKING DECO WING NUTS

Molded in **Natural Nylon 6/6**

Similar to our standard wing nut, except with a molded-in locking thread. Use for applications which require higher torque, vibration resistance or a more secure assembly.

**METRIC Sizes
Also Available**
Page 275

ITEM NUMBER	SCREW SIZE	THREAD	REF. OD	HEIGHT
0600440DLWN	4	440	5/8" (15,88)	5/16" (7,94)
0600632DLWN	6	632	5/8" (15,88)	5/16" (7,94)
0600832DLWN	8	832	5/8" (15,88)	5/16" (7,94)
0601024DLWN	10	1024	7/8" (22,23)	7/16" (11,10)
0601032DLWN	10	1032	7/8" (22,23)	7/16" (11,10)
0625020DLWN	1/4	1/4-20	1-11/64" (29,74)	17/32" (13,49)
0631218DLWN *	5/16	5/16-18	1-9/16" (39,69)	29/64" (11,51)

*PART IS FLUSH ACROSS WINGS