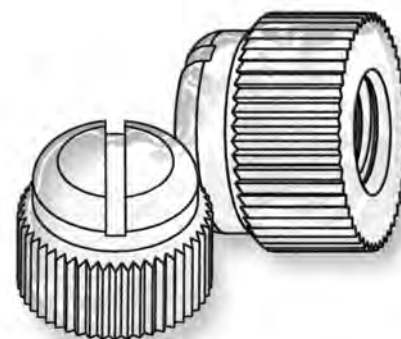
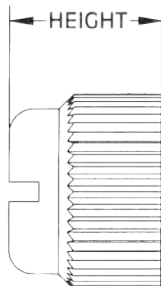
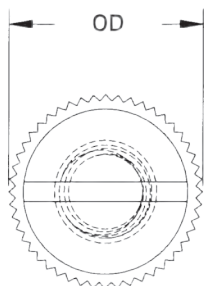


UNIVERSAL NUTS

STOCKED IN NYLON 6/6 UL 94V2 - CAN BE FURNISHED IN ACETAL

SECTION



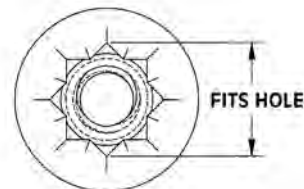
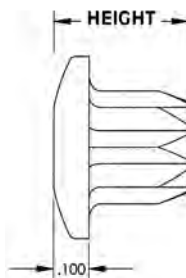
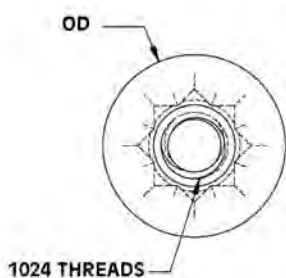
SLOTTED THUMB NUTS

Molded in **Natural Nylon 6/6**

ITEM NUMBER	SCREW SIZE	THREAD	OD	HEIGHT
0500440SCN	4	440	.317 (8,05)	.295 (7,49)
0500632SCN	6	632	.348 (8,84)	.334 (8,48)
0500832SCN	8	832	.381 (9,68)	.378 (9,60)
0501024SCN	10	1024	.400 (10,16)	23/64 (9,12)
0501032SCN	10	1032	.400 (10,16)	23/64 (9,12)
0525020SCN	1/4	1/4-20	.478 (12,14)	.370 (9,40)

SPLINED PANEL NUT

Molded in **Natural Nylon 6/6** and **Transparent Polycarbonate**



NYLON

Watch Instructional Video

[mms://www.microplastics.com/productvideos/SplinedPanelNut.asf](https://www.microplastics.com/productvideos/SplinedPanelNut.asf)



POLYCARBONATE
Transparent

ITEM NUMBER	SCREW SIZE	THREAD	MATERIAL	OD	HEIGHT	FITS HOLE
091024SPNN	10	1024	NYLON	33/64 (13,08)	25/64 (9,92)	.281 (7,14)
091024SPNP	10	1024	POLYCARBONATE	33/64 (13,08)	25/64 (9,92)	.290 (7,37)