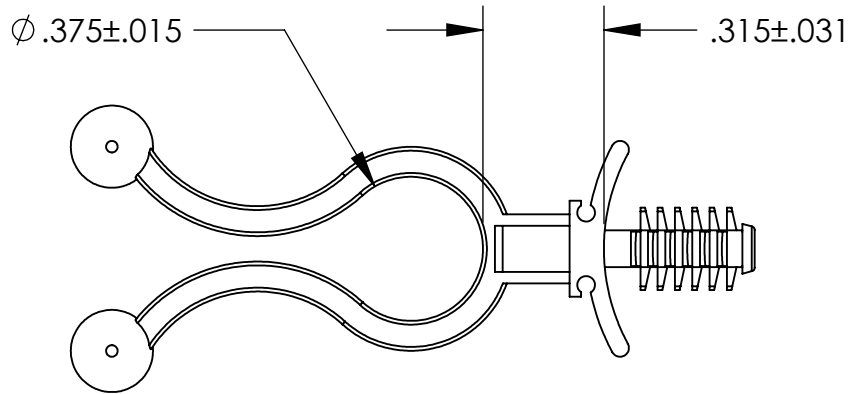
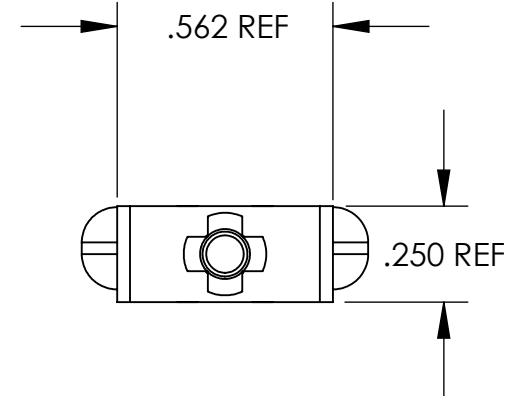
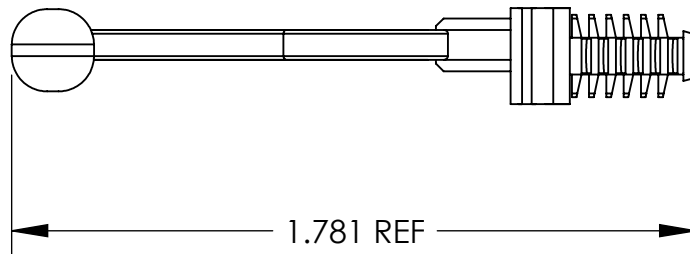


UNCONTROLLED DOCUMENT



NOTES:
 MOUNTING HOLE $\phi .187$
 PANEL RANGE .031 TO .250



TOLERANCES UNLESS NOTED

- $\pm .005$ ON DIMENSIONS THRU .625
- $\pm .008$ ON DIMENSIONS .626 THRU 1.000
- $\pm .010$ ON DIMENSIONS 1.001 THRU 1.500
- $\pm .015$ ON DIMENSIONS LARGER THAN 1.500
- $\pm .015$ ON FRACTIONAL DIMENSIONS

WE RESERVE THE RIGHT
 TO DISCONTINUE ITEMS,
 CHANGE SPECIFICATIONS
 OR DESIGN AT ANY TIME
 WITHOUT NOTICE AND
 WITHOUT INCURRING
 ANY OBLIGATIONS

PROPERTY OF
MICRO PLASTICS INC.

CATALOG DRAWING
 "EZ" TWIST LOCK ON FIN CLIP BASE
 MICRO P/N 23EZF050B037
 DWG. # 23EZF050B037
 FILE SERVER\ENG\WEB

MATERIAL: NYLON 6/6

DATE

SCALE
 2:1

SD