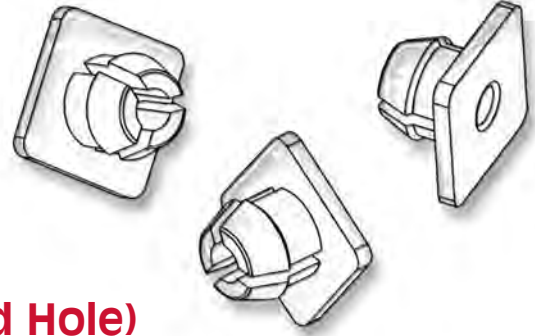
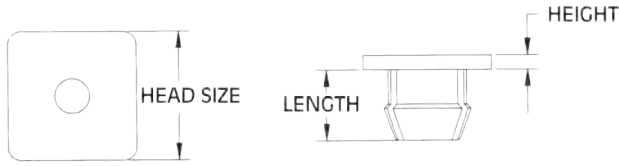


PANEL FASTENERS AND HOLE PLUGS

SECTION VI

GROMMET NUTS

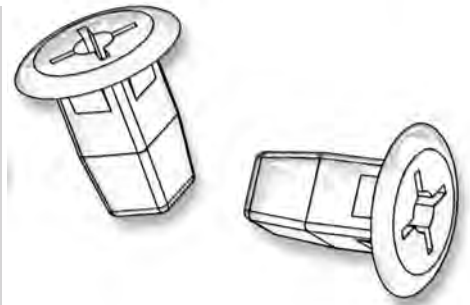
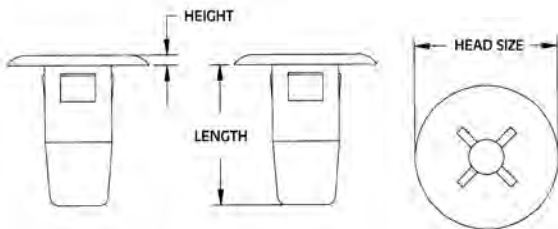
Molded in **Natural Nylon 6/6**



THREE LEGGED SQUARE HEAD (Fits Round Hole)

Molded in **Natural Nylon 6/6**

PART NUMBER	HOLE SIZE RND	PANEL THICKNESS	SCREW SIZE	HEAD SIZE	HEIGHT	LENGTH
60SGN03300	.300/.300 (7,62/7,62)	.031/.135 (0,78/3,43)	6	485 (12,32)	.055 (1,40)	.265 (6,73)

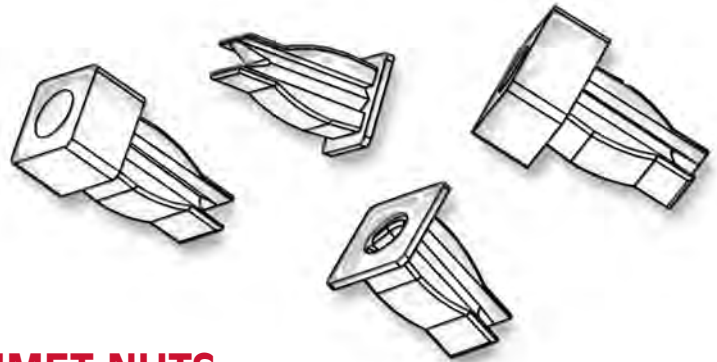
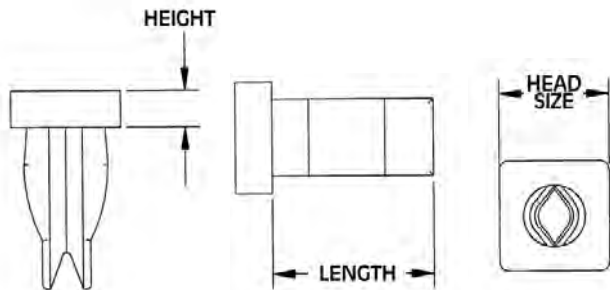


CLOSED GROMMET NUTS

Molded in **Natural Nylon 6/6**

PART NUMBER	HOLE SIZE RCT	PANEL THICKNESS	SCREW SIZE	HEAD SIZE	HEIGHT	LENGTH
60SGN01402*	.355/.355 (9,02/9,02)	.062/.350 (1,57/8,81)	10	.700 (17,78)	.050 (1,27)	.685 (17,40)

*ROUND HEAD



CLOSED SCREW STANDARD GROMMET NUTS

Molded in **Natural Nylon 6/6**

PART NUMBER	HOLE SIZE RCT	PANEL THICKNESS	SCREW SIZE	HEAD SIZE	HEIGHT	LENGTH
60SGC00001	.270-.290 (6,86/7,37)	.020-.140 (0,51/3,56)	8-10	.375 (9,53)	.031 (0,79)	.540 (13,7)
60SGC00002	.270-.290 (6,86/7,37)	.020-.140 (0,51/3,56)	8-10	.375 (9,53)	.062 (1,57)	.540 (13,7)
60SGC00003	.270-.290 (6,86/7,37)	.020-.140 (0,51/3,56)	8-10	.375 (9,53)	.125 (3,18)	.540 (13,7)
60SGC00004	.270-.290 (6,86/7,37)	.020-.140 (0,51/3,56)	8-10	.375 (9,53)	.250 (6,35)	.540 (13,7)
60SGC00005	.309-.315 (7,85/8,00)	.020-.140 (0,51/3,56)	8-10	.437 (11,1)	.031 (0,79)	.540 (13,7)
60SGC00006	.309-.315 (7,85/8,00)	.020-.140 (0,51/3,56)	8-10	.437 (11,1)	.062 (1,57)	.540 (13,7)
60SGC00007	.309-.315 (7,85/8,00)	.020-.140 (0,51/3,56)	8-10	.437 (11,1)	.125 (3,18)	.540 (13,7)
60SGC00008	.309-.315 (7,85/8,00)	.020-.140 (0,51/3,56)	8-10	.437 (11,1)	.250 (6,35)	.540 (13,7)
60SGC00010*	.250-.281 (6,35/7,14)	.020/.140 (0,51/3,56)	8-10	.375 (9,53)	.125 (3,18)	.438 (11,1)

*ROUND HEAD