

# WIRE HANDLING HARDWARE

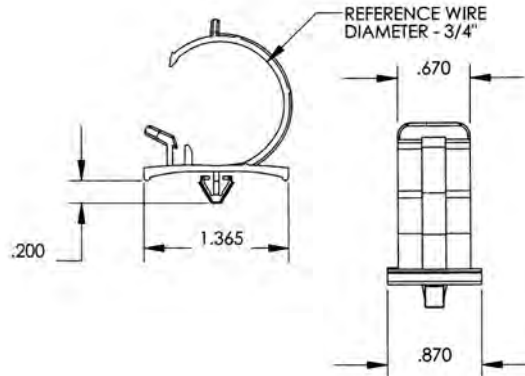
SECTION  
VII

## WIRE CLIP WITH PUSH-IN MOUNT

Molded in **Natural Nylon 6/6**



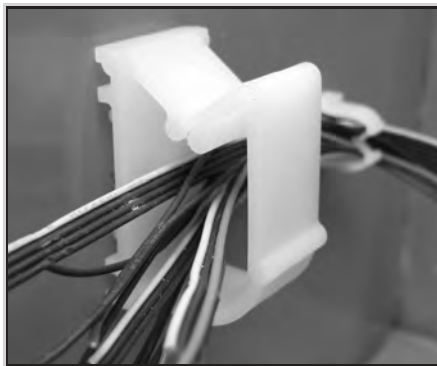
Part is designed to mount in a .250 diameter hole in a .020 to .070 thick panel. Part can be opened and closed multiple times for adding or removing wires. Maximum wire bundle diameter is 3/4 inch. Large contoured base assures a stable mounting.



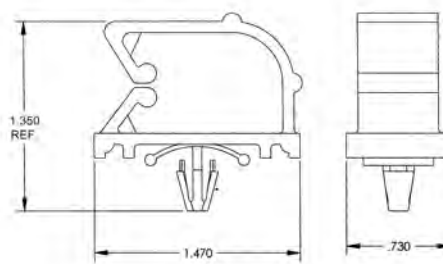
ITEM NUMBER  
22SEAPM250750

## WIRE CLIP WITH PUSH-IN MOUNT

Molded in **Natural Nylon 6/6**



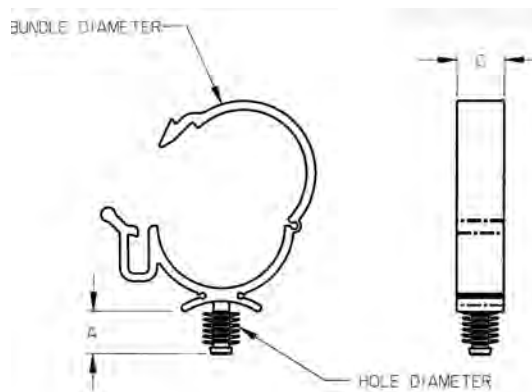
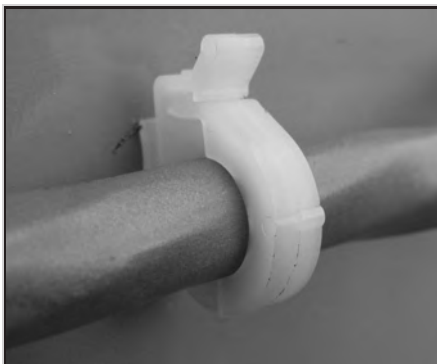
Micro Plastics side entry wire routing clip with push-in mount  
CLIP TO FIT A .250 HOLE WITH A PANEL UP TO .105  
MAXIMUM BUNDLE DIAMETER IS .750



ITEM NUMBER  
22SEWC750100

## RELEASABLE CLAMP ON FIN CLIP BASE

Molded in **Natural Nylon 6/6**



ITEM NUMBER	A	C	BUNDLE DIA.	HOLE DIA.	PANEL RANGE
23RCFB037	.344 (8,74)	.187 (4,75)	.375 (9,53)	.187 (4,75)	VARIABLE
23RCFB050	.344 (8,74)	.187 (4,75)	.500 (12,70)	.187 (4,75)	VARIABLE
23RCFB05025	.344 (8,74)	.187 (4,75)	.500 (12,70)	.250 (6,35)	VARIABLE
23RCFB100	.344 (8,74)	.375 (9,53)	1 (25,40)	.250 (6,35)	VARIABLE