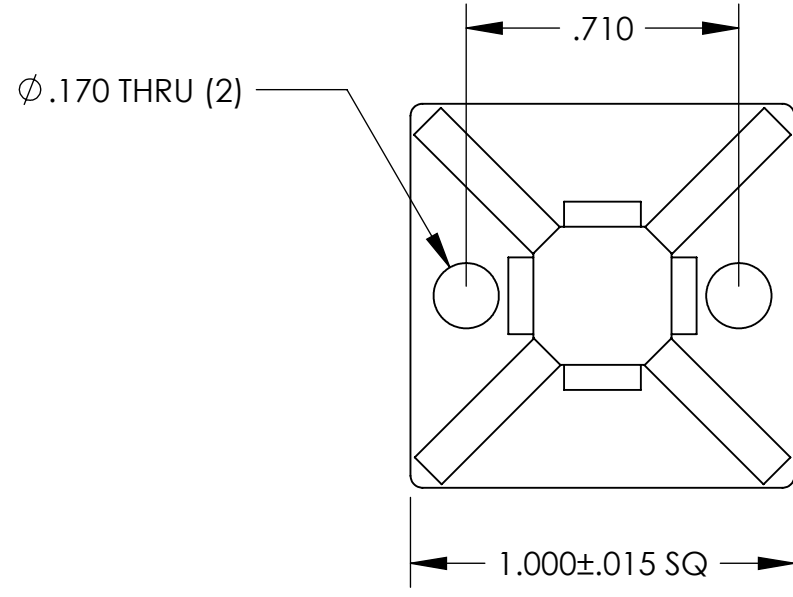
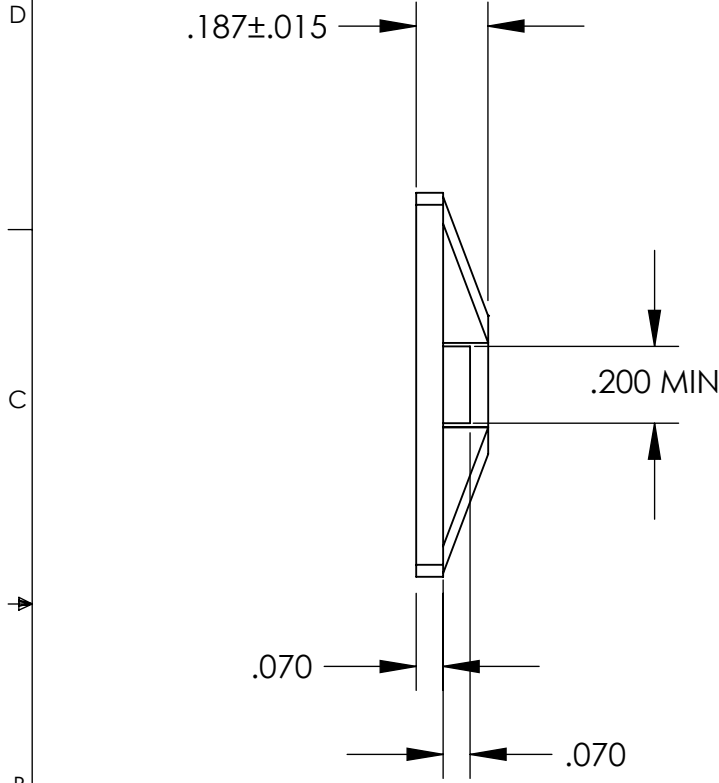


**UNCONTROLLED DOCUMENT**



**TOLERANCES UNLESS NOTED**

- $\pm .005$  ON DIMENSIONS THRU  $.625$
- $\pm .008$  ON DIMENSIONS  $.626$  THRU  $1.000$
- $\pm .010$  ON DIMENSIONS  $1.001$  THRU  $1.500$
- $\pm .015$  ON DIMENSIONS LARGER THAN  $1.500$
- $\pm .015$  ON FRACTIONAL DIMENSIONS

WE RESERVE THE RIGHT  
TO DISCONTINUE ITEMS,  
CHANGE SPECIFICATIONS  
OR DESIGN AT ANY TIME  
WITHOUT NOTICE AND  
WITHOUT INCURRING  
ANY OBLIGATIONS

PROPERTY OF <b>MICRO PLASTICS INC.</b>		
CATALOG DRAWING 1" CRADLE MOUNT WITHOUT ADHESIVE MICRO P/N 23TA00420 DWG. # 23TA00420 FILE SERVER\ENG\WEB		
MATERIAL:		6/6 NYLON
DATE	SCALE 2:1	<b>DSB</b>