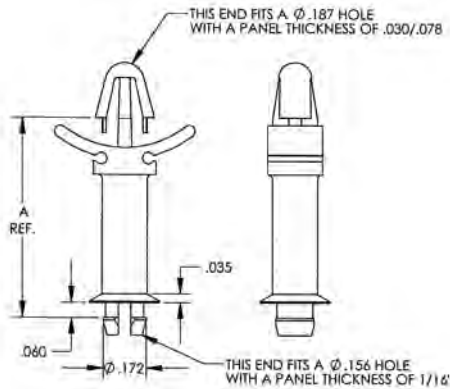


P.C.B. SUPPORTS

Molded in **Natural Nylon 6/6**



"LSP" SERIES



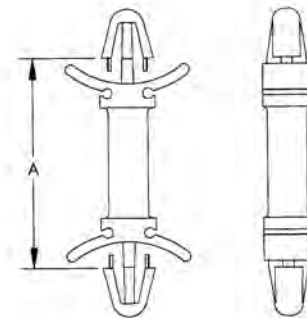
"LSP" SERIES -

MSP END FITS A .156" HOLE
LOCKING END FITS .187" HOLE
PANEL THICKNESS .030 / .078

"A" * EQUAL TO THE
DISTANCE OVER PANELS.

ITEM NUMBER	DESCRIPTION	"A" *
27LSP00187	LSP 187	.380 (9,65)
27LSP00250	LSP 250	.437 (11,09)
27LSP00375	LSP 375	.560 (14,22)
27LSP00437	LSP 437	.625 (15,87)
27LSP00500	LSP 500	.697 (17,70)
27LSP00625	LSP 625	.815 (20,70)
27LSP00750	LSP 750	.935 (23,74)
27LSP00875	LSP 875	1.065 (27,05)
27LSP01000	LSP 1000	1.192 (30,27)
27LSP01125	LSP 1125	1.314 (33,37)
27LSP01250	LSP 1250	1.440 (36,57)
27LSP01375	LSP 1375	1.558 (39,57)

"DLP" SERIES



"DLP" SERIES -

BOTH ENDS FIT A .187" HOLE
PANEL THICKNESS .030 / .078

"A" * EQUAL TO THE
DISTANCE OVER PANELS.

ITEM NUMBER	DESCRIPTION	"A" *
27DLP00187	DLP 187	.307 (7,80)
27DLP00250	DLP 250	.365 (9,27)
27DLP00295	DLP 295	.422 (10,72)
27DLP00375	DLP 375	.495 (12,57)
27DLP00437	DLP 437	.557 (14,15)
27DLP00500	DLP 500	.625 (15,88)
27DLP00625	DLP 625	.745 (18,92)
27DLP00750	DLP 750	.870 (22,10)
27DLP00875	DLP 875	.995 (25,27)
27DLP01000	DLP 1000	1.120 (28,45)
27DLP01125	DLP 1125	1.245 (31,62)
27DLP01250	DLP 1250	1.370 (34,80)
27DLP01375	DLP 1375	1.495 (37,97)
27DLP01831	DLP 1831	1.831 (46,51)