

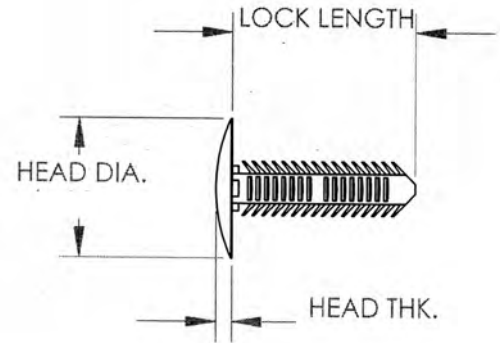
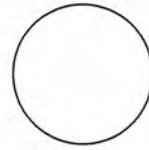
METRIC PANEL FASTENERS AND HOLE PLUGS

ALL DIMENSIONS ARE IN MILLIMETERS

SECTION
XVI

METRIC XMAS TREE TYPE CLIPS

Molded in **Black Nylon 6/6**



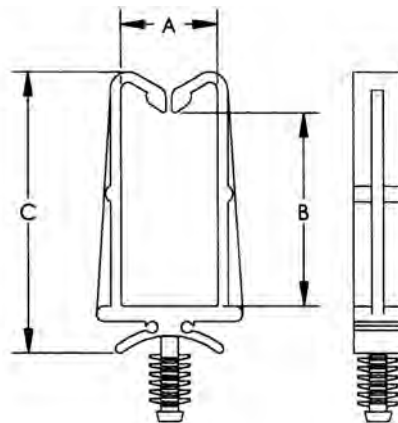
PART NUMBER	HOLE SIZE	PANEL THICKNESS RANGE	HEAD DIAMETER	HEAD THICKNESS	LOCK LENGTH
27MXT003003	3MM	1.6MM-3MM	8.39 MM	1.57 MM	4.85 MM
27MXT003006	3MM	1.6MM-6MM	8.39 MM	1.57 MM	7.57 MM
27MXT003010	3MM	1.6MM-6MM	8.39 MM	1.57 MM	11.66 MM
27MXT004006	4MM	1.6MM-6MM	11.18 MM	1.98 MM	8.33 MM
27MXT004010	4MM	1.6MM-10MM	11.18 MM	1.98 MM	12.24 MM
27MXT005006	5MM	1.6MM-6MM	13.97 MM	1.98 MM	8.53 MM
27MXT005010	5MM	1.6MM-10MM	13.97 MM	1.98 MM	12.29 MM
27MXT005026	5MM	1.6MM-26MM	13.97 MM	1.98 MM	28.35 MM
27MXT006006	6MM	1.6MM-6MM	16.78 MM	1.98 MM	9.27 MM
27MXT006018	6MM	1.6MM-18MM	16.78 MM	1.98 MM	21.31 MM
27MXT006050	6MM	1.6MM-50MM	16.78 MM	1.98 MM	53.70 MM

METRIC WIRE HANDLING HARDWARE

ALL DIMENSIONS ARE IN MILLIMETERS

SECTION
XVII

Micro Plastics' Wire/Cable Holders are designed to mount into 5mm hole diameters. Wire/Cable Holders can be used in a variety of panel thicknesses and materials. Sizes are available to handle wire bundle diameters from 9.5mm to 12.7mm.



WIRE/CABLE HOLDERS

Molded in **Natural Nylon 6/6**

ITEM NUMBER	A	B	C	HOLE DIA.	PANEL RANGE
22MWA095127	9.5	12.7	23.4	5MM	VARIABLE
22MWA095190	9.5	19.0	29.8	5MM	VARIABLE
22MWA127190	12.7	19.0	30.5	5MM	VARIABLE
22MWA127254	12.7	25.4	37.3	5MM	VARIABLE