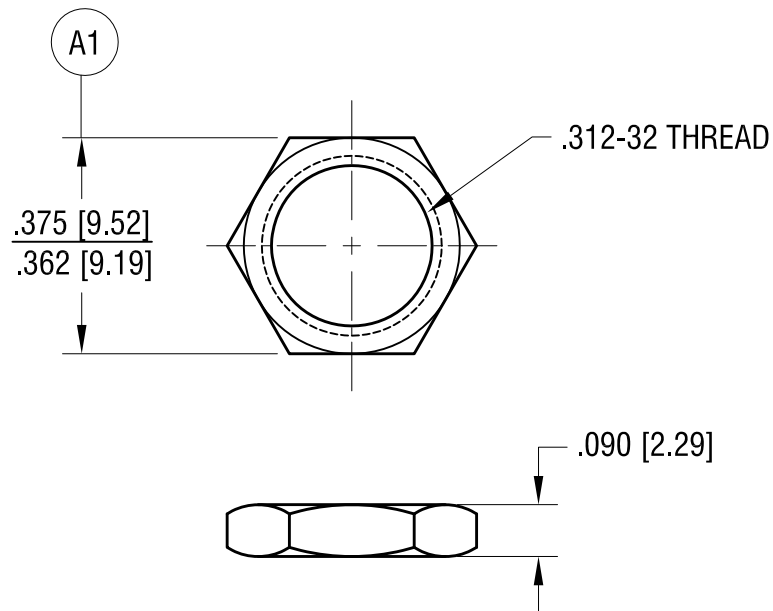


THIS DOCUMENT IS THE PROPERTY OF
KEYSTONE ELECTRONICS CORP. AND
SHALL NOT BE REPRODUCED, DISTRIBUTED
OR USED AS A BASIS FOR MANUFACTURE
WITHOUT PRIOR WRITTEN PERMISSION
FROM KEYSTONE ELECTRONICS CORP.

ACTUAL SIZE



| | | |
|---------|---|------|
| 4.16.18 | A1 WAS .375 ±.005 CHANGE AS PER ECN 18-020 | A |
| DATE | DESCRIPTION | REV. |

| | | | |
|--|-----------------|-------------|----------|
| KEYSTONE ELECTRONICS CORP. | | | |
| www.keyelco.com • NEW HYDE PARK, NY 11040 • Tel (516) 328-7500 | | | |
| PART NAME | | .312-32 NUT | |
| MATERIAL | | BRASS | |
| FINISH | | DRN BY | DATE |
| NICKEL PLATE | | BOONE | 12.15.06 |
| | | APP'D | SCALE |
| | | LN | 3X |
| TOLERANCES | INCH [MM] | CODE | DWG NO. |
| DECIMAL | ± .005 [± 0.13] | C | 1472 |
| ANGULAR | ± 1° | | |
| UNLESS OTHERWISE SPECIFIED | | | |