

"Stay Connected" with



HEYware Products

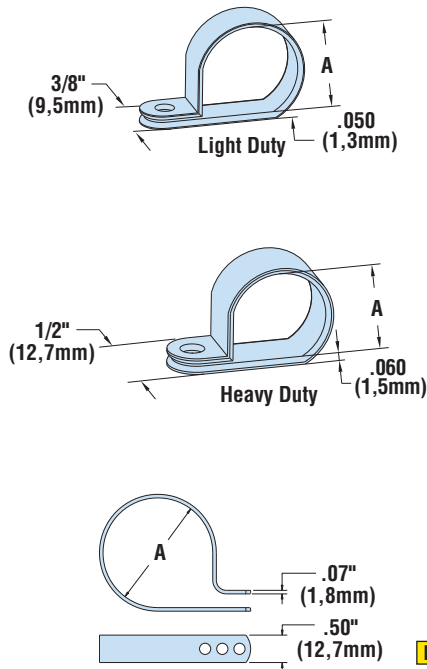
a PennEngineering® Company



- For clamping cable or tubing securely into place.
- Resist corrosion, salt water, weak acids, gasoline, alcohol, oil, grease, and common solvents. (This feature is not assessed by UL certification or testing.)
- All parts are size marked in inches and millimeters.
- Standard material Nylon 6/6. 94V-0 available, consult Heyco.
- For Snap Rivets compatible with Heyco Cable Clamps, see the table on page 7-37.

## Heyco® Nylon Cable Clamps

MOUNTING HOLE DIAMETER		SCREW SIZE	PART DIMENSION A		PART NO. V-2*		DESCRIPTION			
in.	mm.		in.	mm.	Black	Natural				
<b>Light Duty - 3/8" (9,5 mm) wide, .05" (1,3 mm) thick</b>										
.170	4,3	8	.125	3,2	3362	3312	CCL 125-170			
			.187	4,7	3363	3313	CCL 187-170			
			.250	6,3	3364	3314	CCL 250-170			
			.312	7,9	3365	3315	CCL 312-170			
			.375	9,5	3366	3316	CCL 375-170			
			.437	11,1	3367	3317	CCL 437-170			
.203	5,2	10	.500	12,7	3368	3318	CCL 500-170			
			<b>Heavy Duty - 1/2" (12,7 mm) wide, .06" (1,5 mm) thick</b>							
			.203	5,2	10	.125	3,2	3372	3322	CCH 1/8
						.187	4,8	3373	3323	CCH 3/16
						.250	6,3	3374	3324	CCH 1/4
						.312	7,9	3375	3325	CCH 5/16
.375	9,5	3376				3326	CCH 3/8			
.437	11,1	3377				3327	CCH 7/16			
.500	12,7	3378				3328	CCH 1/2			
.562	14,3	3379				3329	CCH 9/16			
.625	15,9	3380				3330	CCH 5/8			
.687	17,4	3381				3331	CCH 11/16			
.750	19,1	3382				3332	CCH 3/4			
.812	20,6	3383				3333	CCH 13/16			
.875	22,2	3384				3334	CCH 7/8			
1.000	25,4	3390				3340	CCH 1			
1.125	28,6	3392				3342	CCH 1-1/8			
1.187	30,1	3393				3343	CCH 1-3/16			
1.250	31,8	3394				3344	CCH 1-1/4			
1.375	34,9	3396				3346	CCH 1-3/8			
1.500	38,1	3398				3348	CCH 1-1/2			
<b>Adjustable - 1/2" (12,7 mm) wide, .065" (1,7 mm) thick</b>										
NEW!	.203	5,2	10	1.75 - 2.00	44,5 - 50,8	3755	-	ACC 1750-2000		



Standard colors black and natural.  
\*Consult Heyco for V-O parts (not shown)

Quick Specs

Material	Nylon 6/6
Certifications	Recognized under the Component Program of Underwriters' Laboratories File E54523
Flammability Rating	94V-2
Temperature Range	32°F (0°C) to 221°F (105°C) - Black 32°F (0°C) to 185°F (85°C) - Natural