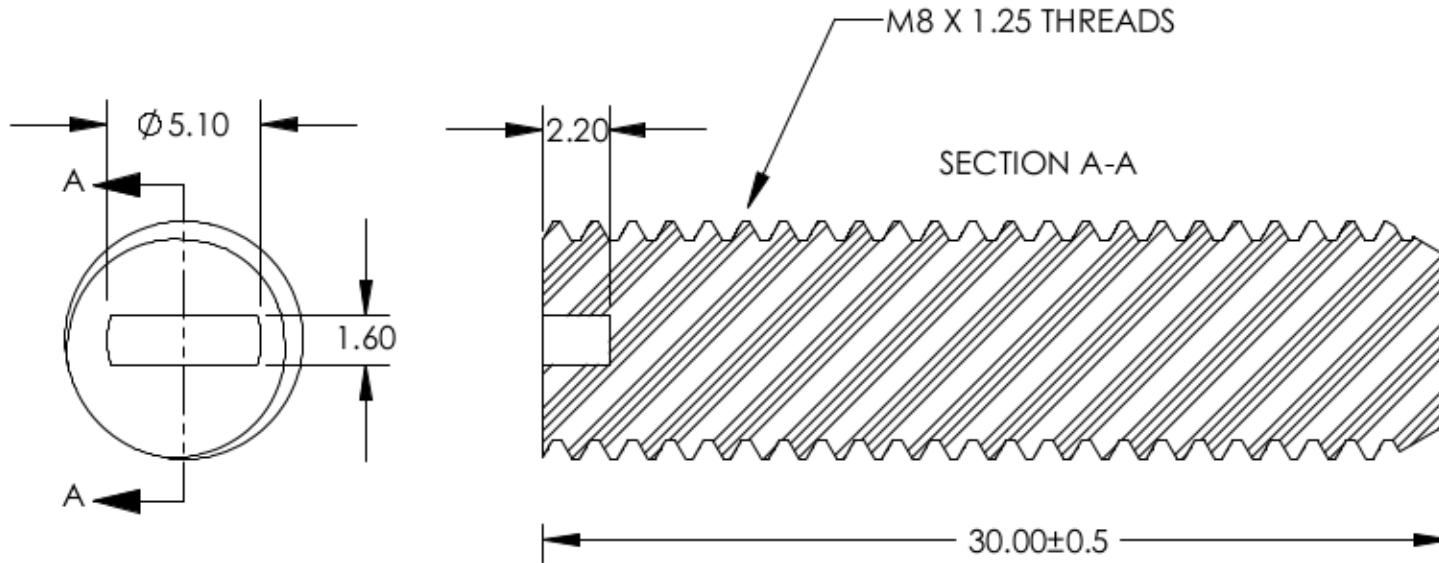


**UNCONTROLLED DOCUMENT**



ALL DIMENSIONS ARE IN MILLIMETERS  
TOLERANCES UNLESS NOTED

- ±.13MM ON DIMENSIONS THRU 15.88MM
- ±.20MM ON DIMENSIONS 15.89MM THRU 25.41 MM
- ±.25MM ON DIMENSIONS 25.42MM THRU 38.10MM
- ±.38MM ON DIMENSIONS LARGER THAN 38.10MM

**WE RESERVE THE RIGHT  
TO DISCONTINUE ITEMS,  
CHANGE SPECIFICATIONS  
OR DESIGN AT ANY TIME  
WITHOUT NOTICE AND  
WITHOUT INCURRING  
ANY OBLIGATIONS**

PROPERTY OF		
<b>MICRO PLASTICS INC.</b>		
CATALOG DRAWING GRUB SLOTTED MACHINE SCREW MICRO P/N 50M080125R030 DWG. # 50M080125R030 FILE SERVER\ENG\WEB		
MATERIAL:		POLYPROPYLENE
DATE	SCALE	<b>TA</b>
	4:1	