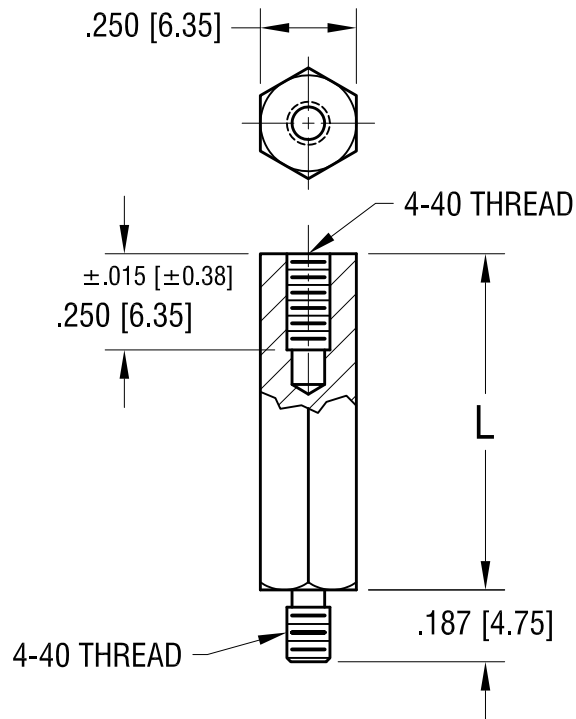


THIS DOCUMENT IS THE PROPERTY OF  
KEYSTONE ELECTRONICS CORP. AND  
SHALL NOT BE REPRODUCED, DISTRIBUTED  
OR USED AS A BASIS FOR MANUFACTURE  
WITHOUT PRIOR WRITTEN PERMISSION  
FROM KEYSTONE ELECTRONICS CORP.



PART NO.	'L' DIM.
8401	.500 [12.70]
8402	.625 [15.87]
8403	.750 [19.05]
8404	.875 [22.22]
8405	1.000 [25.4]
8406	1.125 [28.57]

### KEYSTONE ELECTRONICS CORP.

www.keyelco.com • NEW HYDE PARK, NY 11040 • Tel (516) 328-7500

PART NAME

HEX M/F STANDOFF

MATERIAL

ALUMINUM

FINISH

CLEAR IRIDITE

DRN BY

BOONE

DATE

4.26.94

APP'D

LN

SCALE

2X

3.3.97 CHANGE AS PER ECR 97-019

A

TOLERANCES

INCH [MM]

CODE

DWG NO.

DECIMAL ± .005 [± 0.13]

C

8401-8406

ANGULAR ± 1°  
UNLESS OTHERWISE SPECIFIED

DATE

DESCRIPTION

REV.