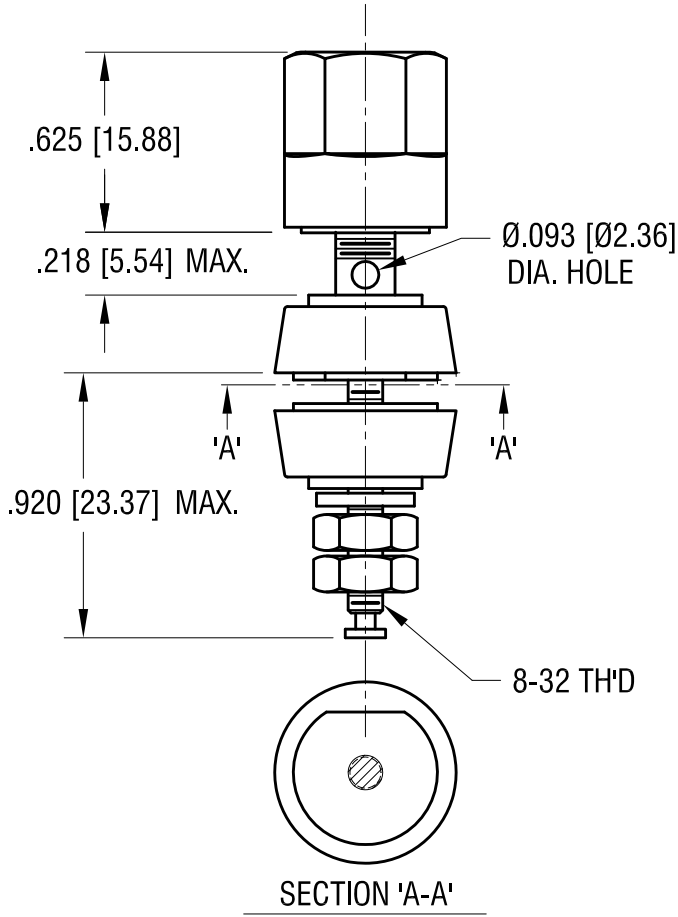
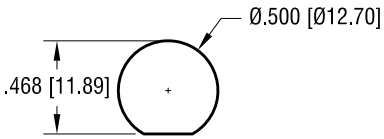
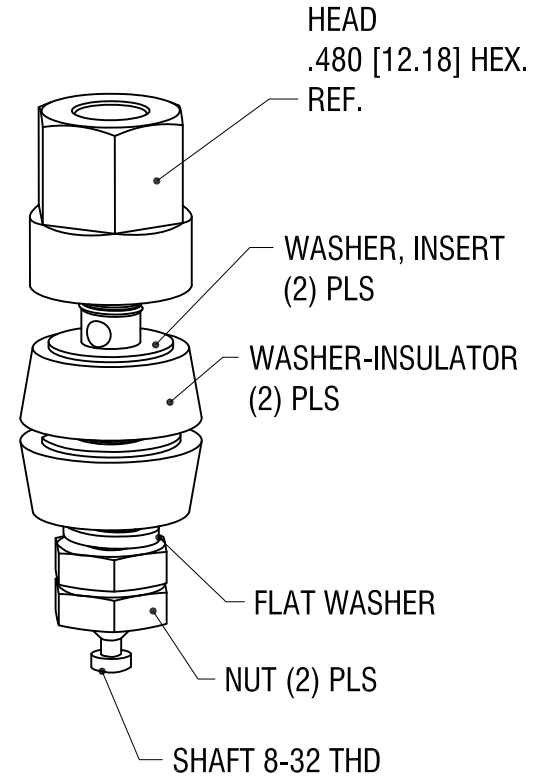


THIS DOCUMENT IS THE PROPERTY OF KEYSTONE ELECTRONICS CORP. AND SHALL NOT BE REPRODUCED, DISTRIBUTED OR USED AS A BASIS FOR MANUFACTURE WITHOUT PRIOR WRITTEN PERMISSION FROM KEYSTONE ELECTRONICS CORP.

MOUNTING DETAIL



P/N	TH'D	COLOR
4096	8-32	RED
4097	8-32	BLACK



DESCRIPTION	MAT'L	FINISH
HEAD	NYLON	-
WASHER, INSULATOR	NYLON	-
WASHER, INSERT	BRASS	GOLD PL.
FLAT WASHER	BRASS	GOLD PL.
NUT	BRASS	GOLD PL.
SHAFT 8-32 TH'D	BRASS	GOLD PL.

KEYSTONE ELECTRONICS CORP.

www.keyelco.com • ASTORIA, N.Y. 11105-2017 • Tel (718) 956-8900

PART NAME			
STANDARD 'HEX' BINDING POST			
MATERIAL			
AS NOTED			
FINISH		DRN BY	DATE
AS NOTED		BOONE	11.17.93
		APP'D	SCALE
		LN	1.5X
TOLERANCES	INCH [MM]	CODE	DWG NO.
DECIMAL	± .005 [± 0.13]	C	4096-4097
ANGULAR	± 1°		
UNLESS OTHERWISE SPECIFIED			

10.28.11	CHANGE AS PER ECN 11-138	A
DATE	DESCRIPTION	REV.