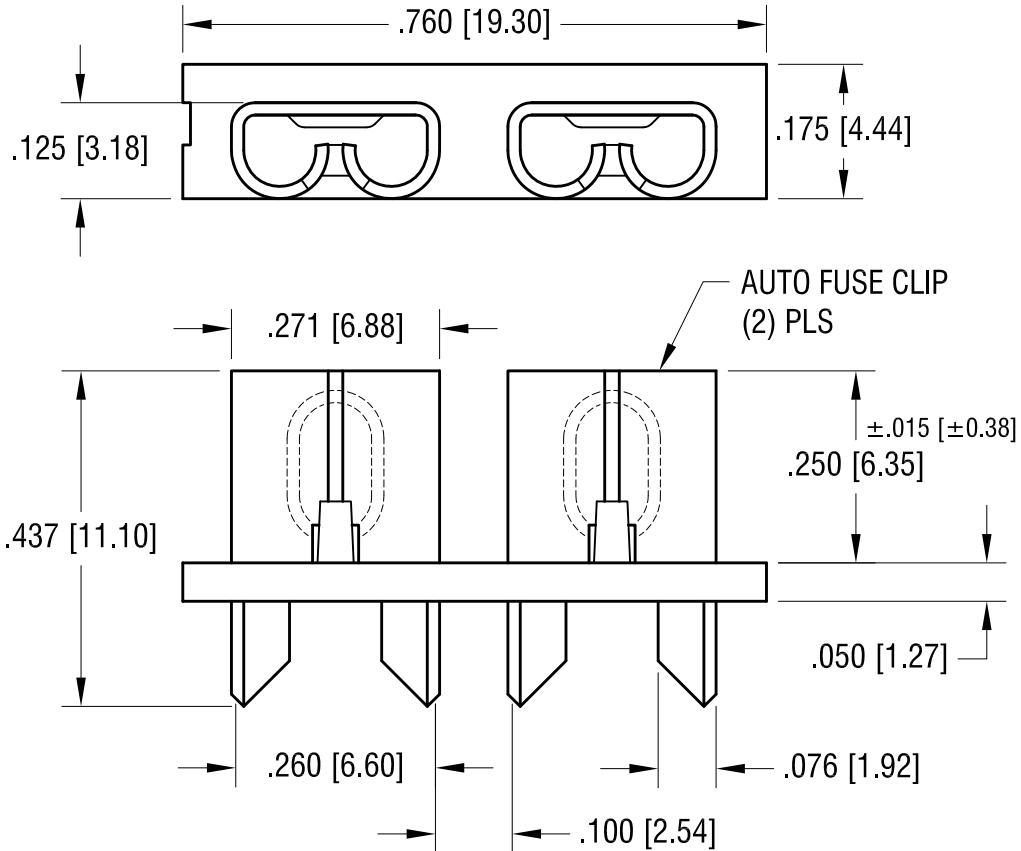
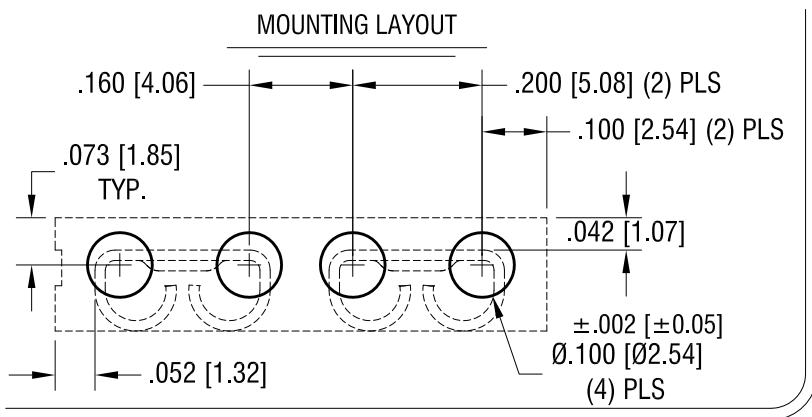
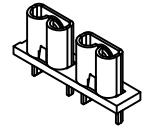


THIS DOCUMENT IS THE PROPERTY OF KEYSTONE ELECTRONICS CORP. AND SHALL NOT BE REPRODUCED, DISTRIBUTED OR USED AS A BASIS FOR MANUFACTURE WITHOUT PRIOR WRITTEN PERMISSION FROM KEYSTONE ELECTRONICS CORP.

ACTUAL SIZE



NOTE:

CLIP: .016 [0.41] TH'K BRASS, TIN NICKEL PLATE  
 BASE: MAT'L: NYLON 6/6, UL 94V-0  
 CURRENT RATING: 20 AMPS  
 VOLTAGE RATING: 500VAC  
 TEMPERATURE RATING: -58°F TO +292°F  
 (-50°C TO +145°C)

DATE	DESCRIPTION	REV.
11.03.15	CHANGE AS PER ECN15-130	H
8.18.15	CHANGE AS PER ECN15-079	G
3.0512	CHANGE AS PER ECN 12-029	F
8.18.06	CHANGE AS PER ECN 06-046	E
9.21.04	CHANGE AS PER ECN 04-121	D

<b>KEYSTONE ELECTRONICS CORP.</b>			
www.keyelco.com • NEW HYDE PARK, NY 11040 • Tel (516) 328-7500			
PART NAME		PC AUTO FUSE SOCKET	
MATERIAL		AS NOTED	
FINISH		DRN BY	DATE
AS NOTED		BOONE	10.05.92
		APP'D	SCALE
		LN	4X
TOLERANCES	INCH [MM]	CODE	DWG NO.
DECIMAL	± .005 [± 0.13]	C	3522-2
ANGULAR	± 1°		
UNLESS OTHERWISE SPECIFIED			