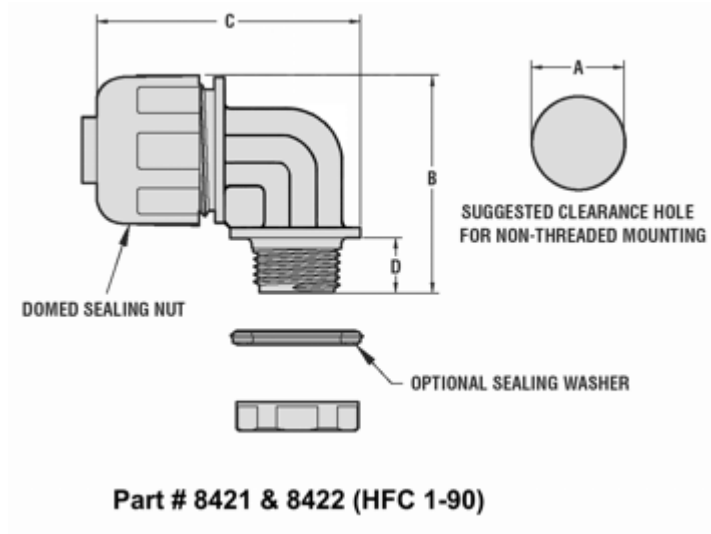


Liquid Tight Conduit - Sweep Connector - Right Angled - Nylon 66 - BLACK



Part No.	Max. Chassis Thickness	A (mm)	B (mm)	C (mm)	D (mm)
8421	4.7	1.3	6.9	7	19.8mm